



Easy Educator EZ-903/904

Quick Start Guide

E-Collar Technologies, Inc.

Welcome to the World of E-Collar Training

Dear valued customer,

Congratulations on the recent purchase of your E-Collar training system. We are confident that you will be pleased with the results achieved through the use of our e-collar training system. We have taken great care to incorporate numerous safety features to ensure a positive experience for both you and your dog.

To maximize your success, it is crucial to employ the lowest level of stimulation and approach the training process with patience and understanding. By applying gentle leash pressure and using a low level of stimulation, you will achieve the best outcomes. It is important for your dog to recognize the sensation from the stimulation as a means of communication, rather than something to be feared.

It is recommended that the use of our training system be incorporated into a comprehensive training program. We suggest taking the time to familiarize yourself with the features and functions of your E-Collar before placing the collar on your dog. Additionally, please consider subscribing to our YouTube and Facebook pages for educational resources on the proper use of e-collars.

We wish you the best of luck with your training endeavors and encourage you to reach out to us at any time for assistance.

This guide is designed to provide you with assistance on the fundamental functions, programming features, and contents of your E-Collar training system. For further information and support, please visit www.ecollar.com or reach out to us at customerservice@ecollar.com.

We encourage you to contact our esteemed customer service department for any inquiries you may have at (260) 357-0051.

TABLE OF CONTENTS

- Important Notice 3
- Package Contents 4
- Device Composition 5
- Charging Instructions 6
- How to Connect the Charger 7
- Turning ON/OFF the EZ-903/904 System 8
- Correctly Fitting Collar 9
- How to Change the Contact Points 11
- LCD Display 4Dog Mode 12
- Buttons Descriptions and Stimulation Button Assignments 13
- How to Find Proper Stimulation Level 14
- EZ-903/904 Four Dog Default Settings 15
- Computer Interface Tool 17
- I Mode 18
- Program Stimulation Buttons 19
- Lock and Unlock Stimulation Level 21
- Boosted Level Setup 23
- Lost Transmitter Activation 24
- Night Tracking Light 25
- Pairing/Syncing 27
- Mode Toggle Feature 28
- Testing Your E-Collar 29
- Training Tips 30
- Safety and General Information 31
- Important Notice 32
- Two Year Warranty 33
- Accessories 34
- Technical Specifications 35

IMPORTANT NOTICE

This product is specifically designed for canine use only.

E-Collar Technologies, Inc. assumes no responsibility for any misuse of this product, including damages caused by dog bites and lost items. Before using this product on aggressive dogs, it is advised to seek an evaluation by a professional trainer. It is not uncommon for aggressive dogs to associate the stimulation with the handler and potentially act against them. In some cases, dogs that are subjected to e-collar pressure during a fight may display redirected aggression and become even more aggressive.

The use of high levels of stimulation should only be considered as a last resort and in life-threatening situations. To avoid unintentionally stimulating your dog, it is recommended to keep the stimulation level below 5 when the product is not in use.

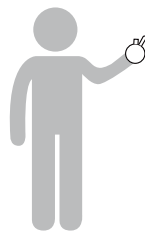
The effective range of your E-Collar training device may be influenced by various factors such as terrain, weather conditions, presence of trees or power lines, and potential interference from other wireless devices.

Positioning the transmitter for maximum range.

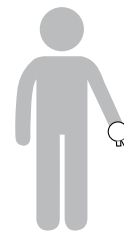
For optimal range, grasp the transmitter in a manner similar to holding a torch, such as the one held by the Statue of Liberty. Ensure that the antenna remains separate from your body and fingers at all times, as touching the antenna can significantly diminish the range.



[Long Range]



[Medium Range]

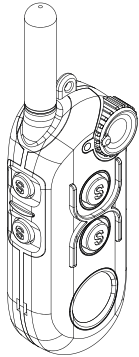


[Short Range]

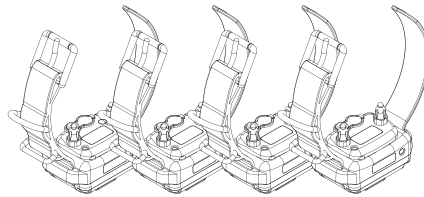
04

Package Contents

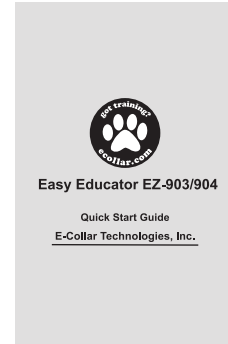
- Four Dog Transmitter/ Remote Controller



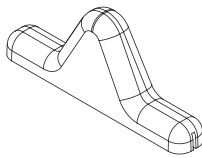
- Waterproof Collar Receiver on High Quality Biothane Strap



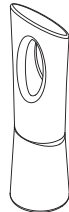
- Quick Start Owner's Guide



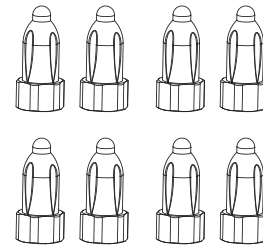
- Test Light



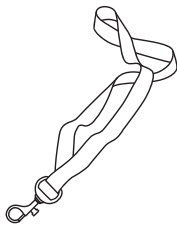
- Contact Point Tool



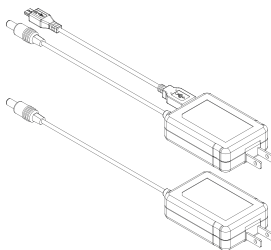
- 1/2" and 3/4" Contact Points - 4 Sets



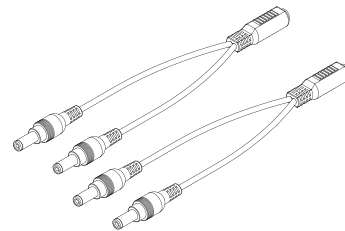
- Lanyard



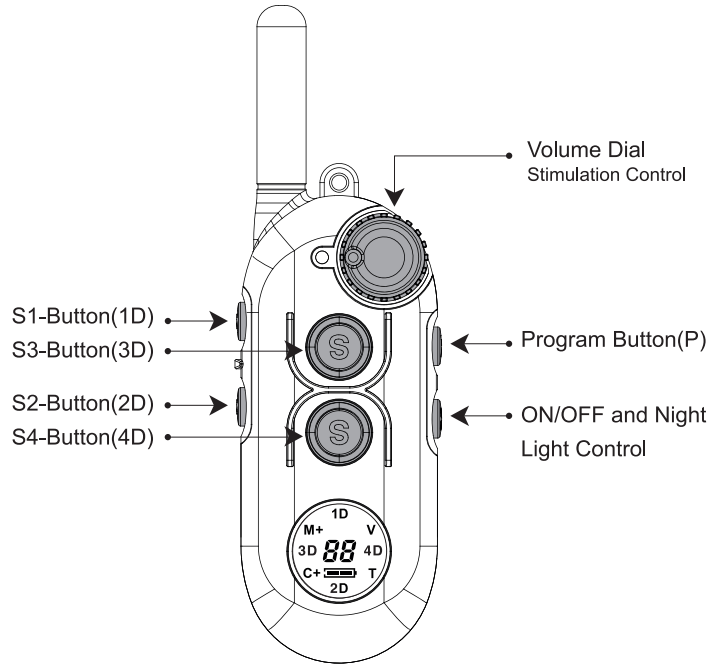
- Battery Chargers



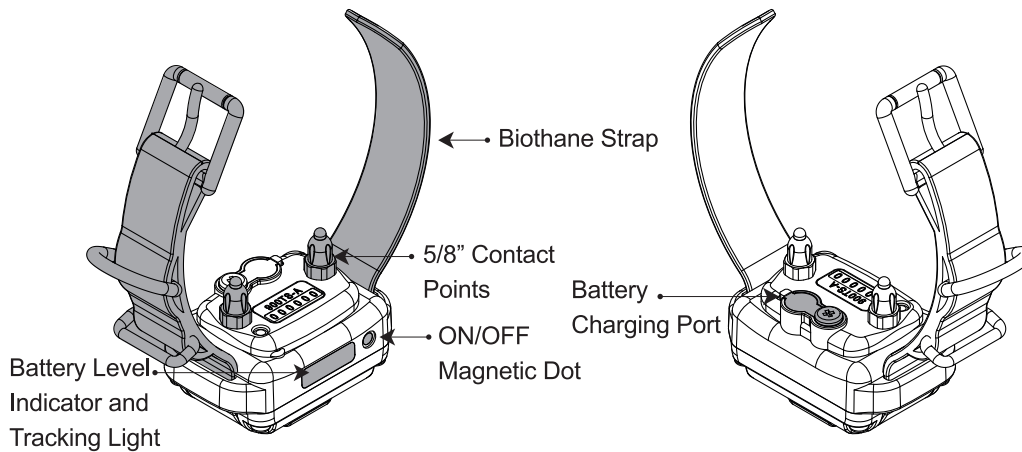
- Splitter Cables



Device Composition



| | |
|----------------|---------------------------------|
| S1, S2, S3, S4 | Programmable Stimulation Button |
| P-Button | Lock/Unlock Button |
| ON/OFF Button | Turn Device ON/OFF |
| Volume Dial | Adjust Stimulation Level |



06

Charging Instructions

Please charge the units on or before the low battery indication. It is best not to wait until the batteries are fully drained to avoid damage. To charge insert the micro USB into the transmitter and the charge plug into the collar receiver as pictured.

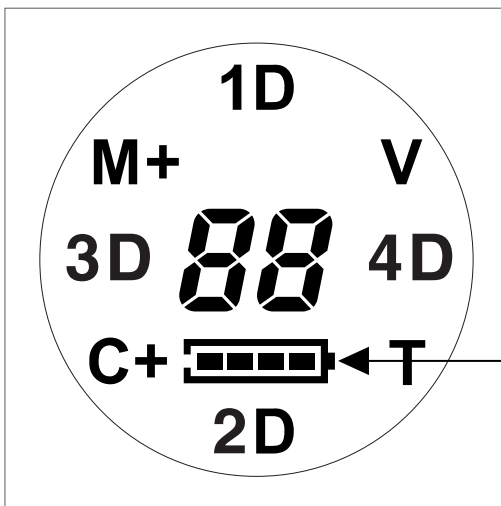
Store with 50% charge in cool dry place.

Low Battery Indication

Transmitter : One bar remaining on the LCD display indicates charging is needed.

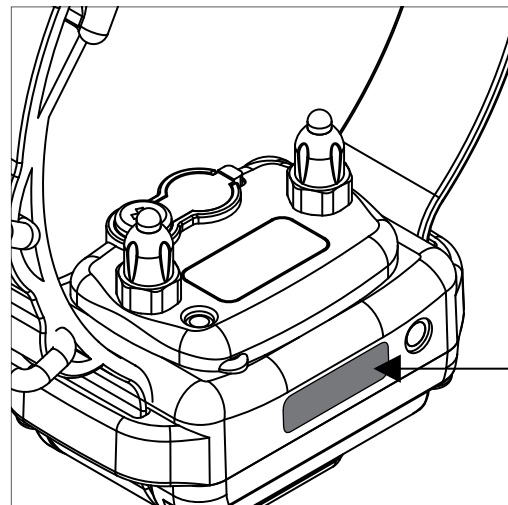
Collar Receiver : The yellow light indicates low battery life, and the red light indicates very low battery life.

Important Notice : Take off the charger from when device is fully charged for longer battery life.



Transmitter :

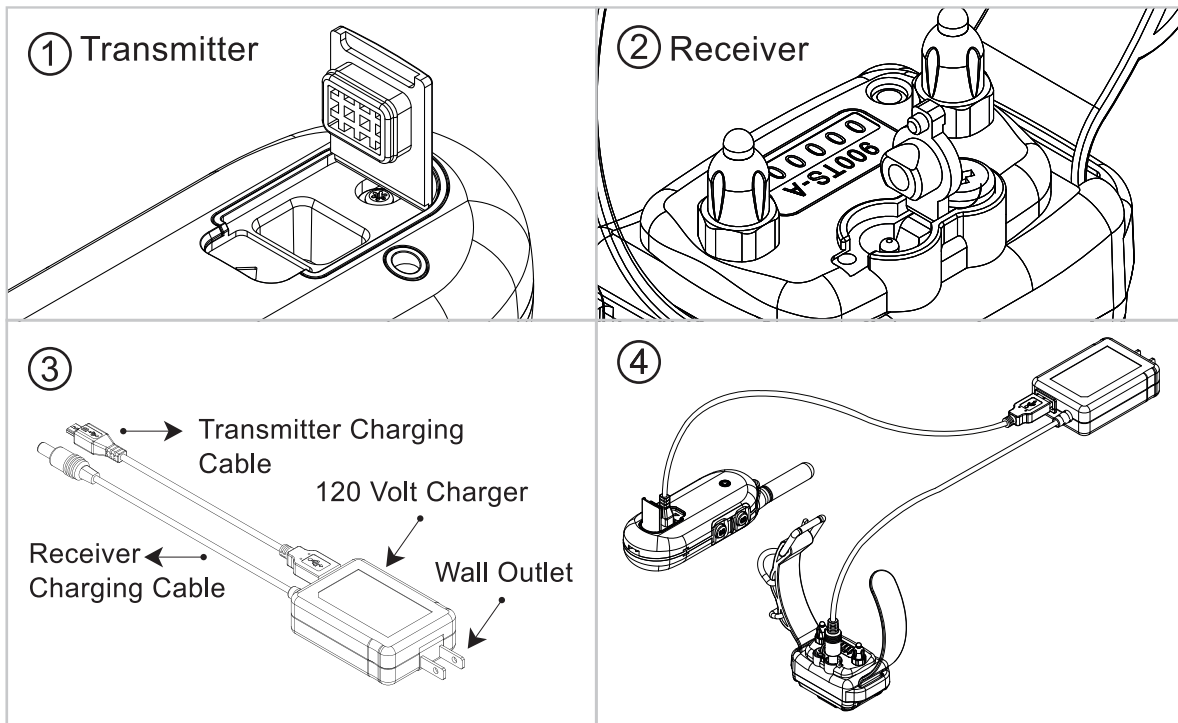
The battery life is displayed on the LCD



Receiver :

- Indicator light blinking "Green" when battery level is okay.
- Indicator light is "Amber" when battery level below 30%
- Indicator light is "Red" when battery is very low.

How to Connect the Charger

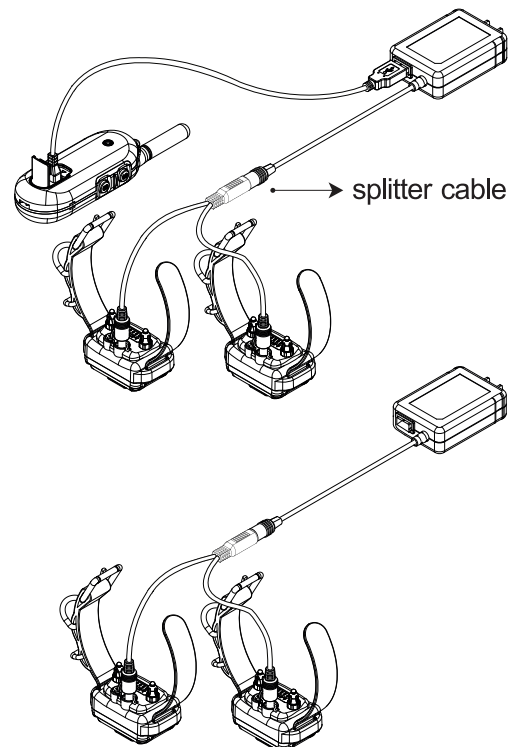


Each Unit can be charged separately or together.

Indicator light is red during charging and turn green when it is fully charged.

Your e-collar is equipped with Li-Polymer batteries that need specific attention to ensure their longevity. It is advisable to avoid fully discharging the battery. In the event of complete discharge, please recharge it promptly to prevent irreversible damage.

Additionally, please keep the units away from excessive heat and cold temperatures.

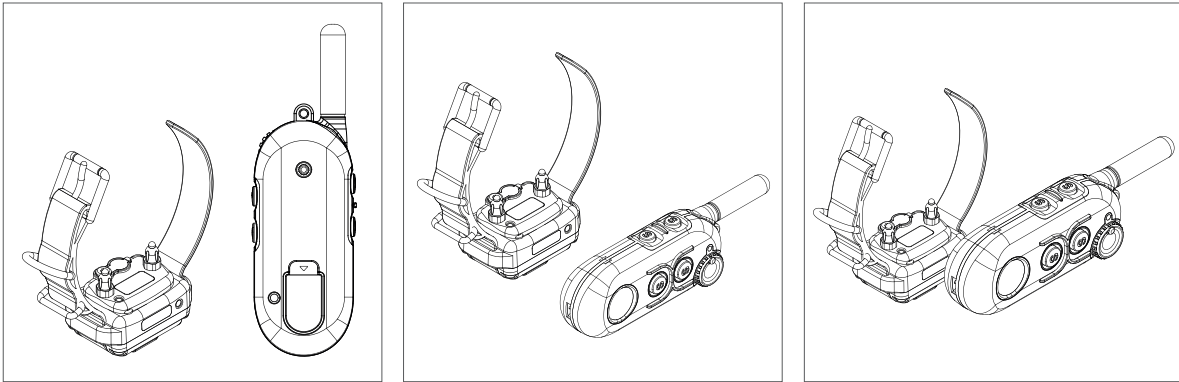


08

Turning ON/OFF the EZ-903/904 System

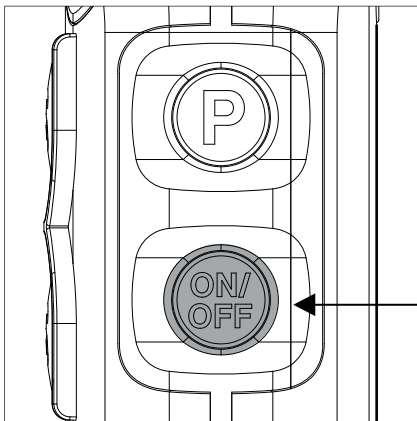
Turning Receiver ON/OFF

COLLAR RECEIVER Turns ON/OFF by using magnet technology.



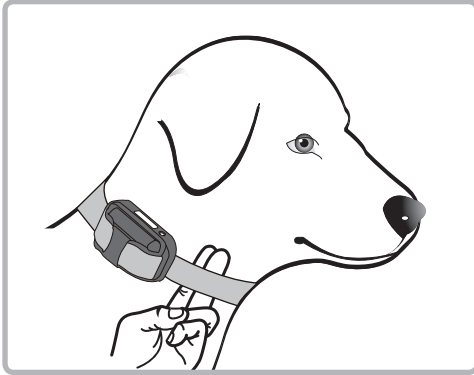
Put red dot on rear of Transmitter close to the red dot on the receiver.

Turning Transmitter ON/OFF



Press the "ON/OFF Button" for more than 1 Second

Correctly Fitting Collar



The collar should be adjusted to allow the “contact points” to have direct contact with the skin. You should be able to fit a couple of fingers between the collar strap and your dog’s skin. Too tight poses the risk of skin irritation and discomfort.

Too loose and the contact points will not be able to administer the stimulation reliably and can cause skin irritation due to chafing. Short hair breeds may need the 3/8” microprobes offered as an accessory item, contact customer service for details. The optimal position for the collar receiver is on either side of the dog’s windpipe.

If the factory installed 5/8” contact points are not making good contact due to thick fur, see page 24 for changing contact point.

IMPORTANT NOTICE

To prevent the occurrence of skin irritations the Collar Receiver should never be worn for more than 12 hours per day. Should your dog experience skin irritations from over exposure to the contact points remove the collar receiver unit immediately and stop using your e-collar until all skin irritations are completely healed. Antibiotic ointment will aid in the healing process.

Some dog breeds have extra thick fur or extra short fur that requires special contact points. Please contact our customer service or visit www.ecollar.com for more information.

10

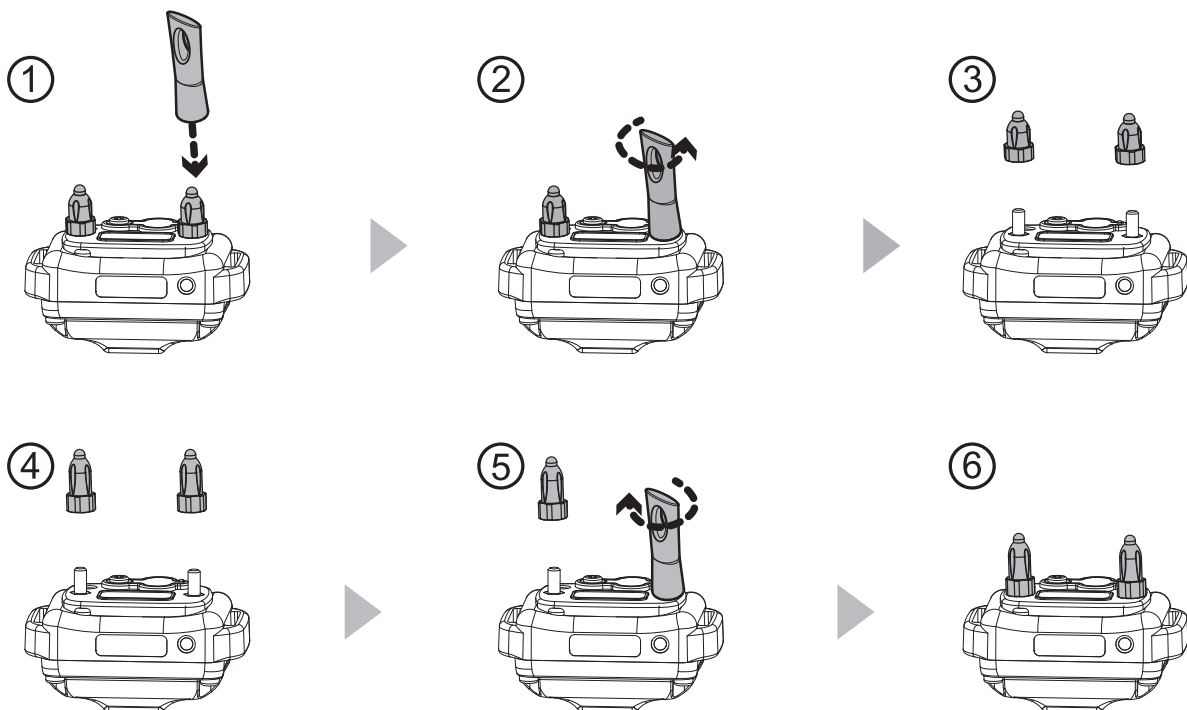
Always seat the collar receiver by giving it a little wiggle to remove any hair that is between the contact points and the dog's skin.

The optimal position for the collar receiver is on either side of the dog's windpipe in the 2 to 5 or the 7 to 10 o'clock position; most dogs don't like it on their windpipes.

Periodically switching positions during a full day of e-collar use is good practice and can help prevent irritations from occurring. Inspecting the area is very important to assure your dog is handling the pressure from the contact points.

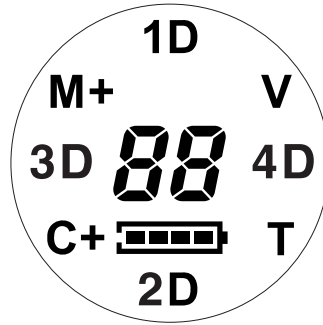
How to Change the Contact Points

If the 1/2" factory installed contact points do not make good contact due to long hair, you can easily change to 3/4" contact points with the contact point tool. Follow diagrams step by step. Very long and thick coats require special contact points, available for purchase on ecollar.com



12

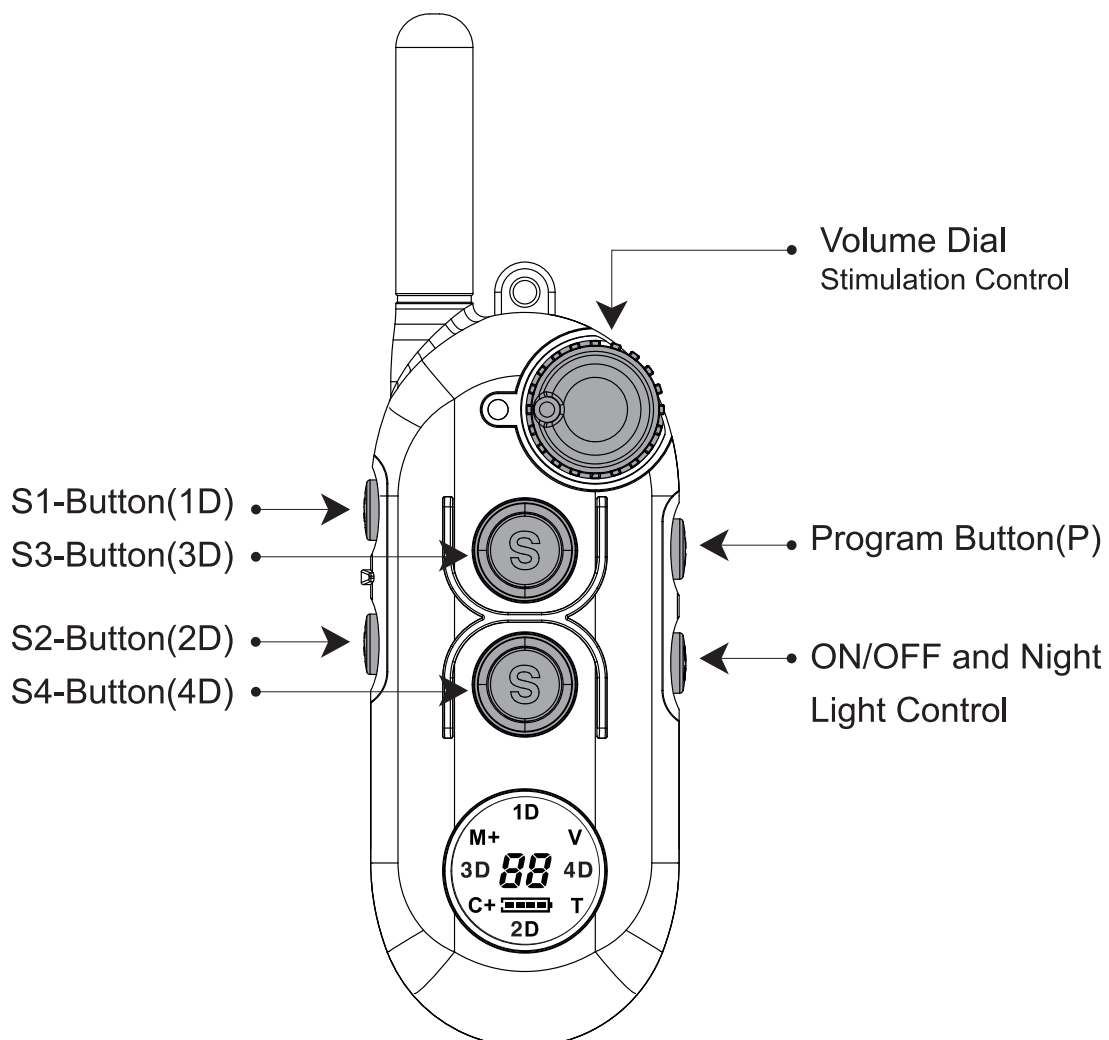
LCD DISPLAY 4 DOG Mode



| Icon | Description | Remarks |
|---------------|------------------------------|--|
| M | Momentary Stimulation | Short Pulse of Stimulation |
| M+ | Momentary Boost Stimulation | Short Pulse of Boosted Stimulation |
| C | Continuous Stimulation | Up to 10 Seconds of Stimulation |
| C+ | Continuous Boost Stimulation | Up to 10 Seconds of Boosted Stimulation |
| I | Instant Stimulation Mode | Stimulation Level Displayed on the LCD, Must Start at "0" |
| V | Vibration | Non Stimulation Sensation Similar to a Vibrating Cell Phone |
| T | Tone | Audible Tone |
| Number | Stimulation Level | 0 to 100 (HI) Level |

Button Descriptions and Stimulation Button Assignments

The 903/904 Easy Educator has 4 control buttons which can be assigned to stimulate, vibrate or produce a tone. S1 is programmed for Dog 1, S2 is for Dog 2, S3 is for Dog 3, and S4 is for Dog 4. It also has 2 program buttons (right side) for changing modes and turning the unit ON and OFF. The convenient dial provides for easy and sight free control of the stimulation level.



How to Find Proper Stimulation Level

The 900 series offers a range of 100 stimulation levels to support efficient training. Understanding the appropriate stimulation level for your dog is essential for successful training. Please refer to this guide for assistance in finding the right stimulation level for your dog.

Please note: To increase the stimulation level, rotate the Volume Dial counterclockwise. To decrease the stimulation level, rotate the Volume Dial clockwise.

It is recommended that users practice adjusting levels and modes before placing the collar receiver on a dog. It is crucial to set the correct stimulation level for your dog. To establish the "conditioning" stimulation level, follow the instructions on page 9 to properly place the collar receiver on your dog. Allow your dog to acclimate to the collar receiver for a few hours.

Monitor your dog closely and begin with the stimulation level at "0." Gradually increase the stimulation at a rate of approximately 2-3 levels per second while observing your dog. Once your dog first reacts to the stimulation, typically between levels 5 and 20, release the button. This will be your "conditioning" stimulation level.

Initially, you may need to raise the "conditioning" level a few levels to elicit a response from your dog, as some dogs may require more stimulation. The boosted level is typically 5 to 20 levels higher than the "conditioning" level.

EZ-903/904 Four Dog Default Settings

Factory default setting of EZ-903/904 is as below. You can change Tone Mode, Vibration Mode, and Instant Mode by using computer interface tool which can be downloaded at <http://www.ecollar.com> under EZ-904 product description.

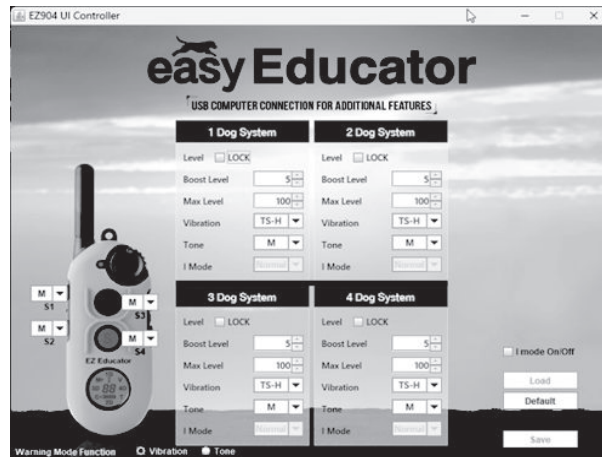
| Factory Default Setting | |
|-------------------------|--------------------|
| S1-Button | 1D Momentary |
| S2-Button | 2D Momentary |
| S3-Button | 3D Momentary |
| S4-Button | 4D Momentary |
| Boost Level | 5 |
| Tone Mode | Tone - Type 2 |
| Vibration Mode | Vibration - Type 4 |
| Instant Mode | Normal Mode |

Advanced Features Available via the Computer Interface Tool

Using a microsoft based computer program, the type of tone and vibration can be changed. Also, a maximum stimulation for each dog can be set. Visit www.ecollar.com to download the tool.

16

Computer Interface Tool



With the computer interface tool, you have the ability to modify the settings on your EZ 903/904 series E-Collar to customize it to suit your dog's unique requirements.

To make adjustments to the Vibration and Tone type, you will need to utilize the computer interface tool, which is conveniently accessible for download at www.ecollar.com. Please note that this program is most compatible with windows OS and Uses Java 8 Update 211 (32-bit).

Some Mac OS customers have had success using Parallels— to run the 900 interface tools on their Mac computers.

- **Multi-Dog Selection:**

Quick and easy selection of one, two or three dog modes.

- **Button Selection Drop downs:**

Convenient drop down for each control button provides quick and easy selection of the desired sensation.

- **Level Lock:**

Ability to lock the level preventing accidental over stimulation by inadvertent movement of the dial.

- **Boost Level:**

Allows the user to select a level between 1 and 60 which provides for an emergency.

Computer Interface Tool

5 Stimulation Modes to Choose From:

- Momentary - Momentary Pulse of Stimulation
- Momentary Boost - Momentary Pulse of Boosted Stimulation
- Continuous - Continuous Stimulation up to 10 Seconds
- Continuous Boost - Continuous Boosted Stimulation up to 10 Seconds
- Patented “Instant Stim” - Enables gradual stimulation through the use of the thumb wheel, eliminating the need for any manual button activation.

7 Vibration Modes to Choose From:

- H - High Continuous Vibration
- M - Medium Continuous Vibration
- L - Low Continuous Vibration
- TS-H - High Tapping Sensation – 1 second on and 1 second off
- TS-M - Medium Tapping Sensation – 1 second on and 1 second off
- TS-L - Low Tapping Sensation – 1 second on and 1 second off
- TA - Two seconds of Continuous medium vibration followed by continuous stimulation; commonly known as Classical or Pavlovian Conditioning

4 Tone (Pitch) Frequencies to Choose From:

- H - High Continuous Tone
- M - Medium Continuous Tone
- L - Low Continuous Tone
- PA - Two seconds of continuous medium tone followed by continuous stimulation; commonly known as Classical or Pavlovian Conditioning

I Mode

“I” Instant Stimulation Mode

The “I” mode is a patented feature which allows the stimulation to increase gradually as determined by the user. The gradual introduction of stimulation provides a more gentle sensation and removes the startling effect sometimes associated with applying a constant level of stimulation. The dog produces less cortisol and learns to avoid the higher levels by responding quickly to the command. The user has the flexibility of increasing the stimulation fast if the situation warrants a quick response from the dog.

To use Instant Stimulation Mode, it should be activated by computer program.

How Instant Stimulation “I” Mode Works

1. Change the mode of any S button to Continuous if not already programmed to “C” mode : The stimulation dial must be turned to “0” to enter the “I” mode
2. To start the “I”, press the assigned Continuous button. The display will flash On to indicate it is on and ready to begin stimulation.
3. Turning the stimulation will now activate the stimulation at the setting of the dial and continue for 45 seconds.
Returning to “0” will reset the 45 second safety timer.
4. If you do not rotate the dial for 45 seconds the “I” mode will turn off and the control button will need to be pushed again.
5. Pushing any of the other control buttons will turn off the “I” mode and therefore require the “I” mode control be pushed again to reactivate it.
6. Again, to exit the Instant Mode, press any control button or wait for 45 seconds.

Program Stimulation Buttons

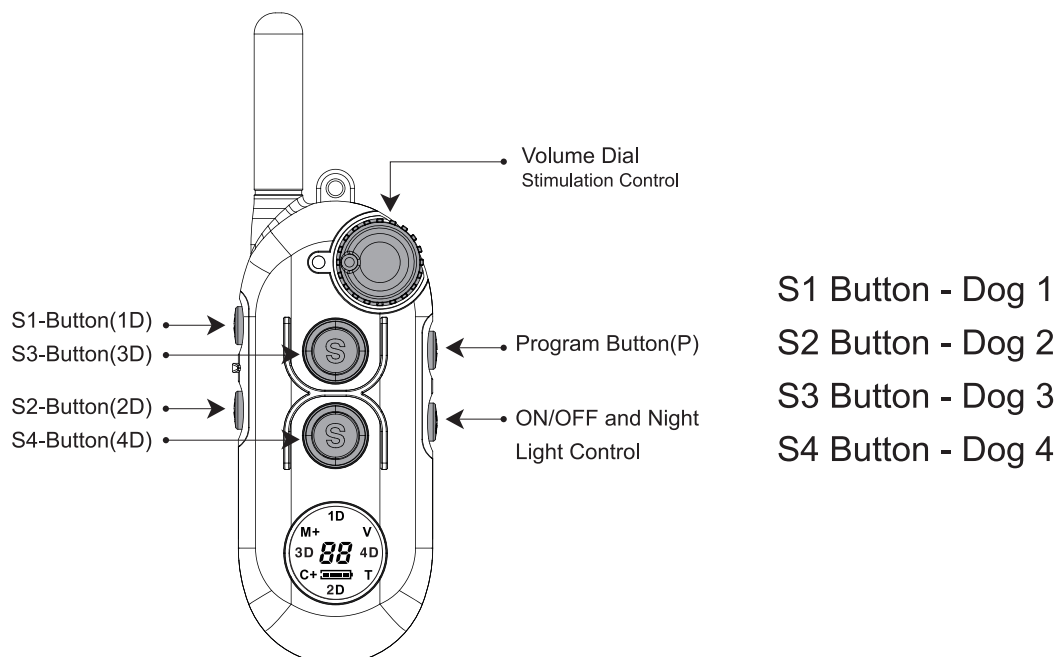
You have the ability to program any stimulation mode to the S1, S2, S3, and S4 buttons.

The following instructions provide an example of how to change the stimulation mode of the S1 button.

1. Press and hold P button and press S1 button to check current mode.
You can see the current mode until release P button.
2. While pressing and holding the P button, press and release the S1 button to cycle through available modes.
3. Stimulation mode will change as follow :



4. Repeat the same process outlined in steps 1 to 3 in order to program additional buttons.



Lock and Unlock Stimulation Level

Lock and Unlock Stimulation Level for Dog 1

1. Check LCD display to confirm 1D icon is blinking.
2. Set the desired stimulation to be locked by rotating the volume dial.
3. Press P and S1 simultaneously and hold for one second to lock.
4. Check LCD display to confirm 1D icon changes from blinking to solid
5. To unlock, press P button and S1 simultaneously and hold for one second.
6. Check LCD display to confirm 1D icon changes solid to blinking.

Lock and Unlock Stimulation Level for Dog 2

1. Check LCD display to confirm 2D icon is blinking.
2. Set the desired stimulation to be locked by rotating the volume dial.
3. Press P and S2 simultaneously and hold for one second to lock.
4. Check LCD display to confirm 2D icon changes from blinking to solid
5. To unlock press P button and S2 simultaneously and hold for one second.
6. Check display to confirm the 2D icon changes from solid to blinking.

Lock and Unlock Stimulation Level for Dog 3

1. Check LCD display to confirm the 3D icon is blinking.
2. Set the desired stimulation to be locked by rotating the volume dial.
3. Press P and S3 simultaneously and hold for one second to lock.
4. Check display to confirm the 3D icon changes from blinking to solid
5. To unlock press P button and S3 simultaneously and hold for one second.
6. Check display to confirm the 3D icon changes from solid to blinking.

Lock and Unlock Stimulation Level for Dog 4

1. Check LCD display to confirm the 4D icon is blinking.
2. Set the desired stimulation to lock by rotating the volume dial.
3. Press P and S4 simultaneously and hold for one second to lock.
4. Check display to confirm the 4D icon changes from blinking to solid
5. To unlock press the P button and S4 simultaneously and hold one second.
6. Check display to confirm the 4D icon changes from solid to blinking.

**Important Note: Blinking "1D", "2D", "3D", or "4D" Indicates Unlocked
Solid "1D", "2D", "3D", or "4D" Indicates Locked*

Boosted Level Setup

Boost Level Setup for Dog 1

1. Change the mode of S1 button to Momentary if not already programmed to “M” mode.
2. Change the Stimulation level to “0”
(Stimulation level should be unlocked)
3. Press Momentary button for more than 5 sec to enter into Boosted Level Change Mode.
4. Check LCD displays M+ or C+ icon
5. Rotate the dial to change the booster level. (The range of boosted level is from 1 to 60, default is 5)
6. Press the Momentary Button again to exit from Boosted Level Change Mode.

Boost Level Setup for Dog 2

1. Change the mode of S2 button to Momentary if not already programmed to “M” mode.
2. Change the Stimulation level to “0”
(Stimulation level should be unlocked)
3. Press Momentary button for more than 5 sec to enter into Boosted Level Change Mode.
4. Check LCD displays M+ or C+ icon
5. Rotate the dial to change the boosted level. (The range of boosted level is from 1 to 60, default is 5)
6. Press the Momentary Button again to exit from Boosted Level Change Mode.

Boost Level Setup for Dog 3

1. Change the mode of S3 button to Momentary if not already programmed to “M” mode.
2. Change the Stimulation level to “0”
(Stimulation level should be unlocked)
3. Press Momentary button for more than 5 sec to enter into Boosted Level Change Mode.
4. Check LCD displays M+ or C+ icon
5. Rotate the dial to change the boosted level. (The range of boosted level is from 1 to 60, default is 5)
6. Press Momentary Button again to exit from Boosted Level Change Mode.

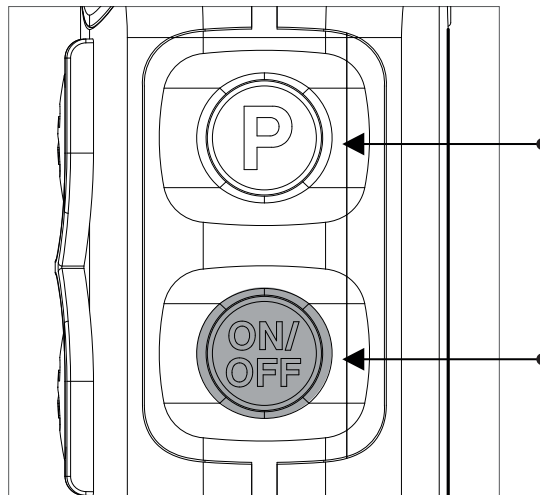
Boost Level Setup for Dog 4

1. Change the mode of S4 button to Momentary if not already programmed to “M” mode.
2. Change the Stimulation level to “0”
(Stimulation level should be unlocked)
3. Press Momentary button for more than 5 sec to enter into Boosted Level Change Mode.
4. Check LCD displays M+ or C+ icon
5. Rotate the dial to change the boosted level. (The range of boosted level is from 1 to 60, default is 5)
6. Press Momentary Button again to exit from Boosted Level Change Mode.

Lost Transmitter Activation

**Lost Transmitter Activation (6 hours timer) : ON/OFF (Bottom Right)
plus P (Top Right)**

1. Change the Stimulation level to “0”
2. Press ON/OFF button and then press P button simultaneously.
3. One short beep will sound confirming the activation of the locator timer.
4. To deactivate, press ON/OFF button and P button one more time.
5. Two short beeps will sound confirming the deactivation of the locator timer.
6. The transmitter will start beeping exactly 6 hours from activation so plan your excursion accordingly.



It is important to activate the Lost Transmitter mode before embarking on a hike or engaging in activities where misplacing the transmitter is a possibility.

Night Tracking Light

Night Tracking Light provides bright light from the receiver.

This feature provides bright vision around your dog and shows where your dog is heading to.

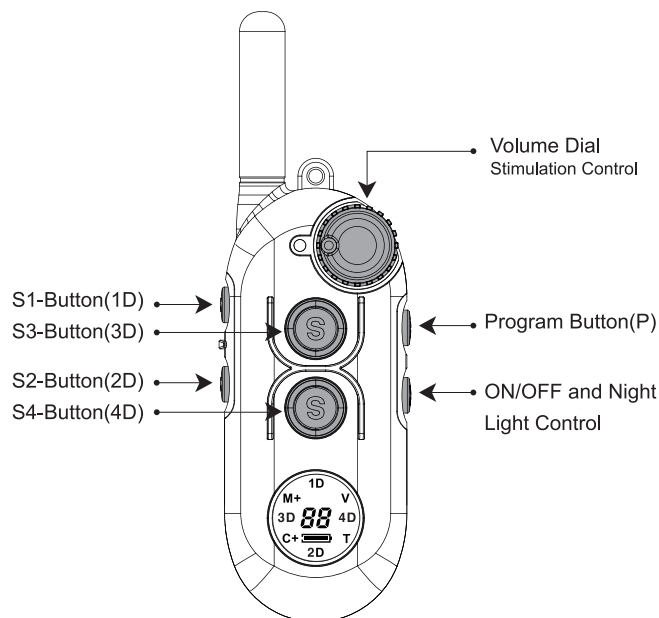
Important Notice:

Using this feature cause spend Receiver's battery more than usual.

You have the capability to activate the night tracking light for each dog individually.

The instructions below outline how to enable this feature using the S1 button (Dog 1)

1. Press and hold the ON/OFF button and press S1 button.
2. While pressing and holding the ON/OFF button and press S1 button release the S1 button to cycle through available modes.
3. Light mode will change as follow : **OFF** → **Blinking** → **Solid** → **OFF**
4. Repeat the same process outlined in steps 1 to 3 in order to program additional buttons.



S1 Button - Dog 1
 S2 Button - Dog 2
 S3 Button - Dog 3
 S4 Button - Dog 4

Pairing/Syncing

When you want to replace the transmitter or collar receiver with a new transmitter or collar receiver it needs to be paired to existing one.

Pairing for Dog 1 (ON/OFF + S1)

1. Turn on the Transmitter.
2. Rotate the intensity dial to “0”.
3. Turn off the collar receiver. Put the red dot on the transmitter against the red dot on the collar receiver for more than 5 seconds until the solid green light starts blinking on and off rapidly.
4. Press the ON/OFF button and then press the S1 button (Side Top) simultaneously.
5. Listen for confirmation sound from the Collar Receiver.
6. Test the collar receiver to make sure it accepted the new transmitter pairing/syncing code.

Pairing for Dog 2 (ON/OFF + S2)

1. Turn on the Transmitter.
2. Rotate the intensity dial to “0”.
3. Turn off the collar receiver. Put the red dot on the transmitter against the red dot on the collar receiver for more than 5 seconds until the solid green light starts blinking on and off rapidly.
4. Press the ON/OFF button and then press the S2 button (Side Bottom) simultaneously.
5. Listen for confirmation sound from the Collar Receiver.
6. Test the collar receiver to make sure it accepted the new transmitter pairing/syncing code.

Pairing for Dog 3 (ON/OFF + S3)

1. Turn on the Transmitter.
2. Rotate the intensity dial to "0".
3. Turn off the collar receiver. Put the red dot on the transmitter against the red dot on the collar receiver for more than 5 seconds until the solid green light starts blinking on and off rapidly.
4. Press the ON/OFF button and then press the S3 button (Front Top) simultaneously.
5. Listen for confirmation sound from the Collar Receiver.
6. Test the collar receiver to make sure it accepted the new transmitter pairing/syncing code.

Pairing for Dog 4 (ON/OFF + S4)

1. Turn on the Transmitter.
2. Rotate the intensity dial to "0".
3. Turn off the collar receiver. Put the red dot on the transmitter against the red dot on the collar receiver for more than 5 seconds until the solid green light starts blinking on and off rapidly.
4. Press the ON/OFF button and then press the S4 button (Side Bottom) simultaneously.
5. Listen for confirmation sound from the Collar Receiver.
6. Test the collar receiver to make sure it accepted the new transmitter pairing/syncing code.

Mode Toggle Feature

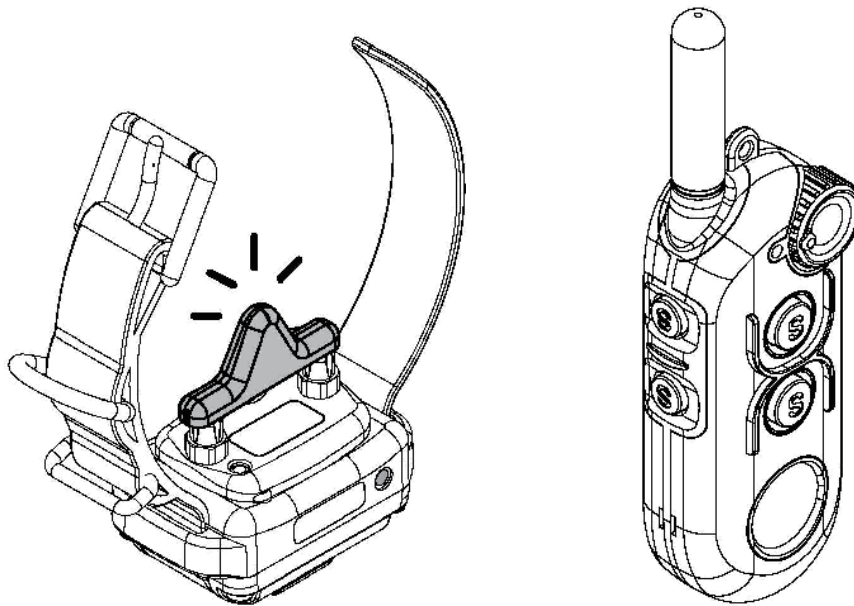
Switch from Stimulation to Vibration/Tone by Pressing the “P” (Upper Right) Button

EZ-903/904 provides special a convenient feature to allow for easy/quick use of stimulation with a 2 button boost and vibration/tone for all four dogs or how many dogs you are training at any given time.

To toggle the mode from the Momentary or Continuous stimulation (default is “M”) simply press the “P” button one time and listen for the unique short beep signaling that all the control buttons (S1 - S4) be changed to vibration/tone, vibration is the default non stimulation mode. If you want to use tone please refer to the mode section on page 9 to change any of the dogs from the default settings

To change back to the stimulation modes simply press P button again. The unique 2 button beep sound indicates you are back in stimulation mode. Play with this feature until you feel confident before using the Easy Educator on your dogs, the “M” and “C” icon will be appear again.

Testing Your E-Collar



If you need to check your unit, hold the test light against the contact points on the collar receiver. This test will let you know that the collar receiver is generating the proper sensation to the dog, it should brighten in a smooth fashion as the dial is turned up.

Some people find it easier to hold the collar receiver on their forearm while slowly turning the stimulation up using the continuous mode, typically as humans we will begin to feel the simulation around a level 8 to 25 depending on the dryness of the skin.

Feel free to contact us if you have need help, 1-260-357-0051.

Training Tips

IMPORTANT TRAINING TIPS

E-Collars can be utilized to reinforce commands that your dog already knows or as a learning tool when combined with leash pressure. It should be noted that they are not intended to replace basic leash obedience training, but rather to enhance your ability to communicate with your dog. For optimal outcomes, it is recommended to utilize the minimal amount of stimulation necessary to capture your dog's attention. A composed and consistent approach to training will consistently yield better long-term results. It is strongly advised that owners of aggressive dogs consult a professional trainer for evaluation prior to incorporating an e-collar. Various e-collar training techniques are recommended by different professional trainers. We believe that as the owner, you are best equipped to determine the most effective technique for your dog. For first-time users, we suggest immersing yourself in learning about the proper techniques or seeking the guidance of a professional e-collar trainer. The method employed in initially introducing the e-collar is crucial to the success of the training.

You can find helpful training videos by searching for E-Collar Technologies on YouTube and subscribing to our channel, as we regularly post new content. Additionally, please consider "Liking" our Facebook page to receive further training advice and connect with other e-collar users.

Good Luck with your training from your friends at
E-Collar Technologies

Safety and General Information

- The EZ-903/904 Series Collar complies with all National and International Standards and Guidelines for human exposure to radio frequency electromagnetic energy.
- Nearly all electronic devices are susceptible to electromagnetic interference (EMI) if inadequately shielded or designed without precautions to EMI.
- EZ-903/904 Series e-collar transmitters manufactured by E-Collar Technologies, Inc. comply with Article 15 of the FCC rules and operate under Part 95 of FCC regulations.
- Operating Frequency Band is 27.095 MHz.

1. IMPORTANT NOTICE

To avoid Electromagnetic Interference and/or compatibility conflicts, please turn off your transmitter and collar receiver in any facility where posted notices instruct you to do so. Never use your equipment in close proximity of a Hospital or Health Care Facility or enter the facility without turning off both units.

2. An FCC license is not needed to operate EZ-903/904 Series e-collar transmitters. However, any change or modification made to the transmitter, including the supplied antenna, without the expressed written approval of E-Collar Technologies, Inc. could void your authority to operate.

Important Notice

NOTICE

Possible Metal Allergy

Dogs vary in sensitivity and may develop symptoms of a metal allergy. Which may include irritation, redness, hair loss, sores, etc. Please rotate collar receiver from side to side daily to check for allergies. If allergies occur, hypoallergenic contact points are available for purchase

at www.ecollar.com or 260-357-0051

NOTICE TO PREVENT WATER DAMAGE

If Receiver is exposed to water on a regular basis, tighten screws once or twice a month depending on the frequency of water exposure. Please make sure screws are snug but not overly tight. This will help prevent internal water damage.

ITEM SHOULD BE PLACED OUT OF THE REACH OF CHILDREN

This product is not meant to be used by individuals (including children) with limited physical, sensory, or cognitive abilities, or those lacking expertise and understanding, unless they are under the supervision or guidance of a person responsible for their safety. This also applies to the cleaning and upkeep of the item.

The item should exclusively be used with the power supply (charger) provided with the product.

This product is covered by various patents including but not limited to patents 8757098 and 8833309. Patent is pending on the Instant Stimulation Feature on this device.

Copyright 2014 E-Collar Technologies, Inc. All Rights Reserved.

Two Year Warranty

To register your product, kindly visit our website at www.ecollar.com. Click on the warranty registration link and complete the necessary information. We kindly ask that you register your product within 30 days of your purchase. If you are unable to access a computer, please feel free to contact one of our dedicated customer service representatives at 1-260-357-0051. They will be happy to assist you in registering your product. If, for any reason, your product is not registered properly, proof of purchase will not be required to obtain warranty coverage. We will be able to estimate your purchase date based on the serial number. It is important to note that misuse, improper maintenance, lost or stolen units, and dog damages are not covered under the manufacturer's warranty. We strive for your complete satisfaction and aim to provide exceptional service.

**“Making Bad Dogs Good
and Good Dogs Better!”**

34

Accessories

- Titanium Hypo-Allergenic Contact Pints



- Thick Fur Contact Points



- Short Point Comfort Pads



- Magnetic AnyWear Clip



- Ultra Wing Contact Point Comfort Pads



- Gear Keeper



- Bungee Collar



- Quick Snap Bungee Collar



Technical Specifications

| | |
|--|-------------------------------|
| Transmitting and receiving standard frequency | 27 Mhz |
| Operating range (maximum effective range of open space) | 1/2 mile range |
| Degree of protection | IP68 |
| Transmitter battery (Li_Po) | 720mAh |
| Collar Receiver battery (Li_Po) | 300mAh |
| Battery voltage | 3.7V ~ 4.2V |
| Charging voltage | 5V |
| Time for battery fully charged | 1-2 Hours |
| Collar Receiver Battery Life (Standby mode) | 24~48 Hours |
| Transmitter Battery Life (Standby mode) | Battery last more then 1 week |
| Working temperature | 0 ~ 55°C |
| Storage temperature / Humidity | -40 ~ 85 °C / 30% |
| <p>"Risk of fire or explosion if the battery is replaced by an incorrect type" "Use an adapter that satisfies PS2 or LPS"</p> | |

Many more available on www.ecollar.com



E-Collar Technologies, Inc.

2120 Forrest Park Drive
Garrett, IN 46738-1887
1-260-357-0051 (US & International)

sales@ecollar.com
www.ecollar.com
customerservice@ecollar.com

patents pending
2014 E-Collar Technologies, Inc.



Thank you for Supporting American Workers