

Contact Information



Welcome to the World of
E-Collar Technologies, Inc.

1000 Series

Operation Manual

**“Happiness is a Dog
that Stays Home”**

E-Collar Technologies, Inc.

2120 Forrest Park Drive

Garrett, IN 46738

US & International : 1-260-357-0051

www.ecollar.com

sales@ecollar.com

customerservice@ecollar.com



1000 Series Operation Manual

1000 Series E-Fence System

Thank you for purchasing the 1000 Series Wired E-Fence System from E-Collar Technologies, Inc. We have made every attempt to provide you with the most technologically advanced product using the most stringent quality and manufacturing standards.

Good luck with your dog's safe containment and please feel free to contact us should you have any questions.

1-260-357-0051



Table of Contents

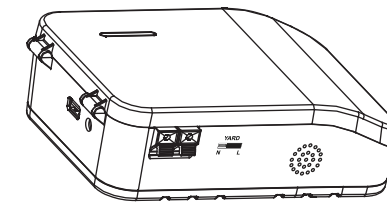
- Characteristics	03
- Contents	04
- Wall Mount Controller	05
- Collar Receiver	08
- Special Features	09
- Charging the Battery of Collar Receiver	10
- Customizing Collar Receiver	11
- Pairing Instructions: Rx-1000 Replacement Receiver for E Fence	12
- Replacing the Contact Points	13
- Correctly Fitting the Collar	14
- To Register for the 2 Year Warranty	15
- Accessories	16
- Important Notice	17
- Technical Specifications	18

Characteristics

- Supports Multiple Dogs
- Stimulation Level Adjustable up to 30 levels
- Over-Stimulation Prevention
- Run Through Prevention
- Anti-Linger Protection
- Tone Only Test Mode
- Waterproof & Shock Resistant
- Employs Quick Charge Li-Polymer Batteries

Contents

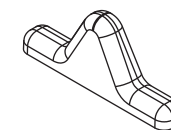
- Controller



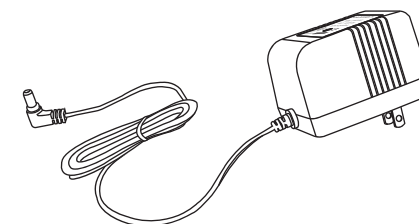
- Owner's Manual



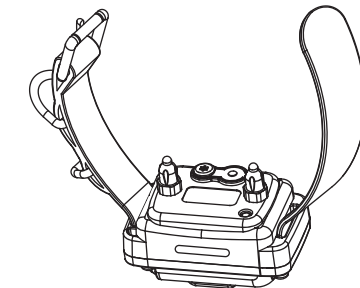
- Test Light



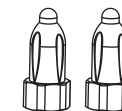
- AC adapter for Controller



- Collar Receiver with Strap



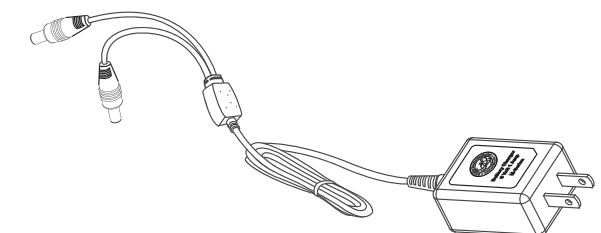
- Extra Contact Points 3/4"



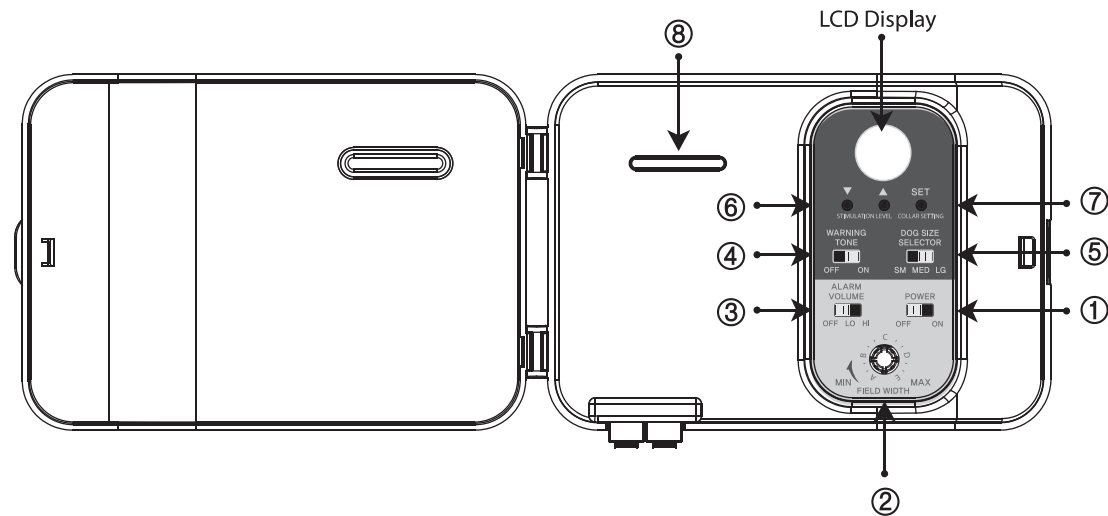
- Contact Point Tool



- AC Charging cable for Collar Receiver

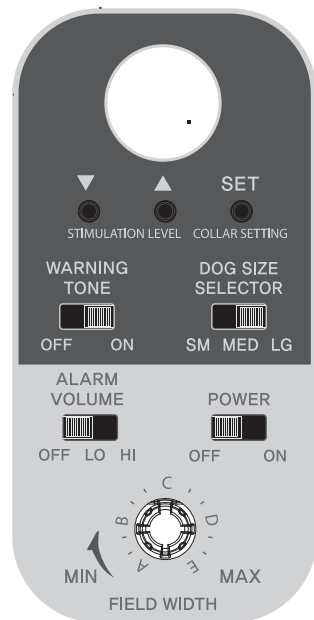


Wall Mount Controller



① **Power Switch** : The containment system can be turned on or off by sliding the POWER switch to the ON or OFF position.

② **Field Width Adjustment Dial** : Field Width Adjustment Dial controls the distance from the wire. The dog receives the warning tone and containment stimulation. To increase the field width, simply turn the dial clockwise, to reduce the field width, turn it counter-clockwise. A minimum of 6' containment field is suggested.



③ **Alarm Volume Adjustment** : When containment system senses an error, there will be an alarm to alert the user. Alarm volume can be adjusted by sliding Alarm Volume slide switch.

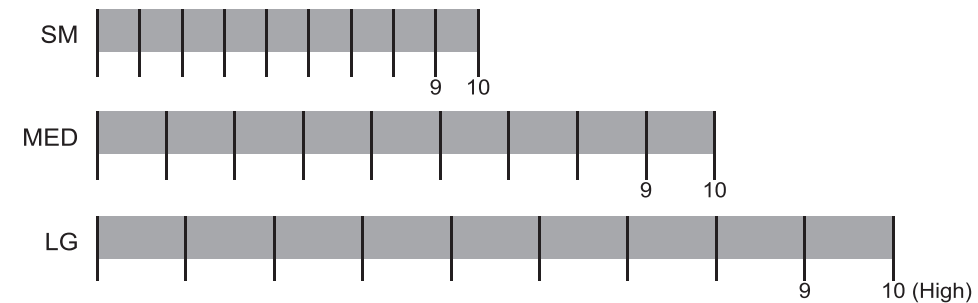
④ **Warning Tone** : If warning tone is turned "ON", there will be a warning tone with containment stimulation. Default value is "ON".

Wall Mount Controller

⑤ **Dog Size Selector** : Dog Size Selector consists of small(SM), medium(MED), and large(LG) options. The below chart is a recommended starting point. Dogs of different size exhibit varying sensitivities to stimulation. You, the owner, are better at determining the tolerance and temperament of your dog. It is recommended to start low and adjust upwards until the boundary is well understood.

SM	Less than 20 lb dogs
MED	From 10 lb to 50 lb dogs
LG	Larger than 50 lb dogs

⑥ **Stimulation Level Control** : The correction level of each collar receiver is set separately. Stimulation levels consist of 11 settings from "1" to "H (10)" stimulation levels and "0" (tone only). You can change the level by pressing up & down arrow button. Default value is tone only. If you select tone "0" (tone only), there will be no stimulation. The output of each level varies depending on the dog size setting selected. See chart below.

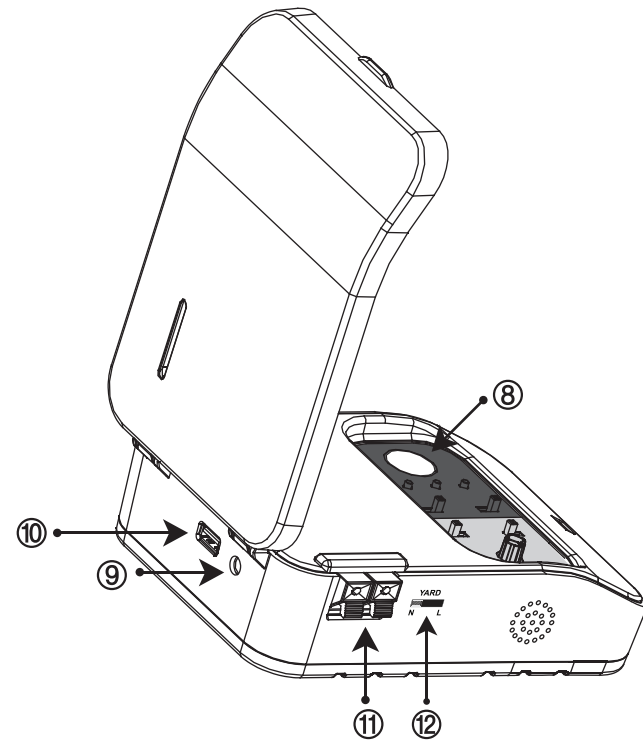


⑦ **Collar Receiver Setting Button** : To change the setting of a collar receiver, place the collar receiver on top of the controller and press the set button. (See section 8. "Customizing the Collar Receiver" for more details.)

⑧ **Status Light and Alarm** :
The status light and LCD display provide the operational condition of the wall mount transmitter.

Status Light	LCD Display	Condition
Solid Blue	Blinking Dot	Normal Operation
Blinking Red	Blinking '-'	Broken Wire (Alarm On)
Solid Red	Blinking 'P'	Power Failure (Operating on Batteries)
Red or Blue	Blinking 'b'	Backup Batteries Low

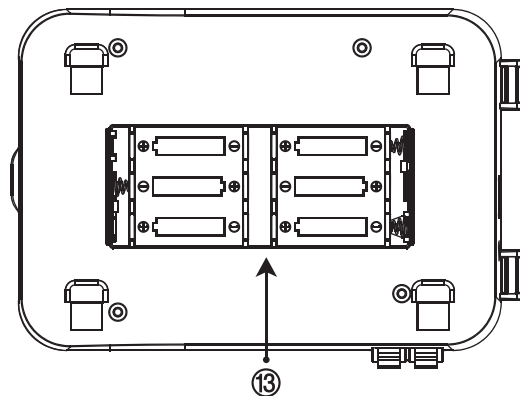
Wall Mount Controller



⑨ **Power Connection** : The power for the 1000 Series Controller is provided by a supplied UL certified 24 V, 400mA AC adapter.

⑩ **USB Port** : USB port to charge the collar receiver, any USB port connected with 5V DC adaptor can be used.

⑪ **Loop Wire Terminals** : The containment wires connect to the wall mount controller through the bottom of the case via the quick connect terminals.

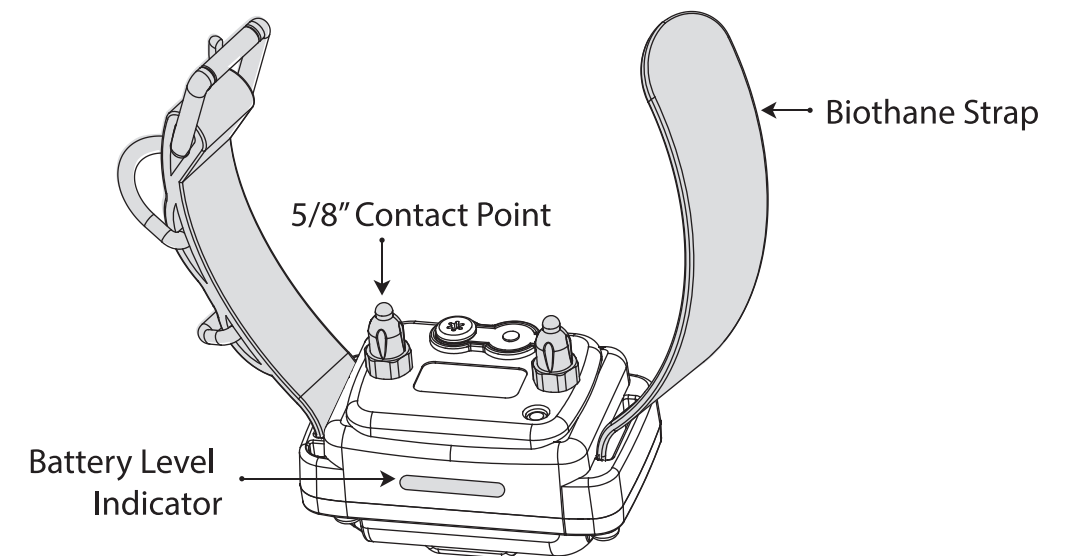
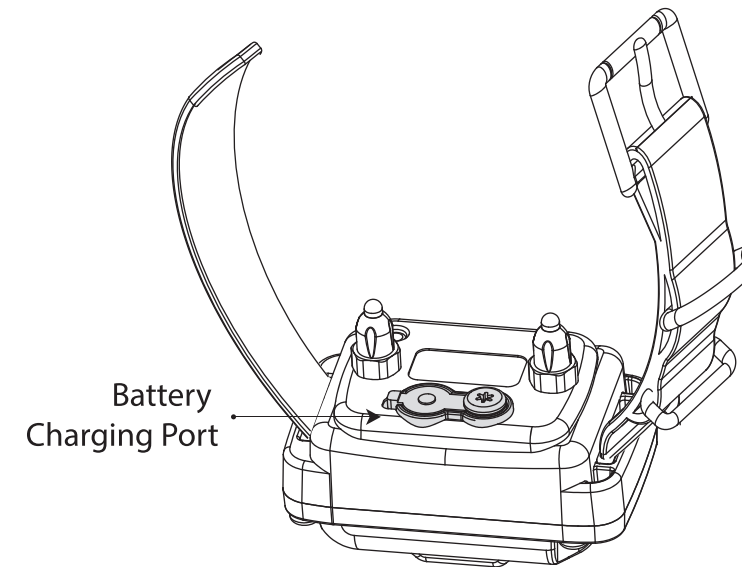


⑫ **Yard Switch** : You can choose Normal Yard or Large Yard by sliding the yard switch.*

* On select models.

⑬ **Back-up Battery** : 8 hours of backup power can be provided by installing 6 AA Alkaline batteries when power to the controller is disconnected.

Collar Receiver



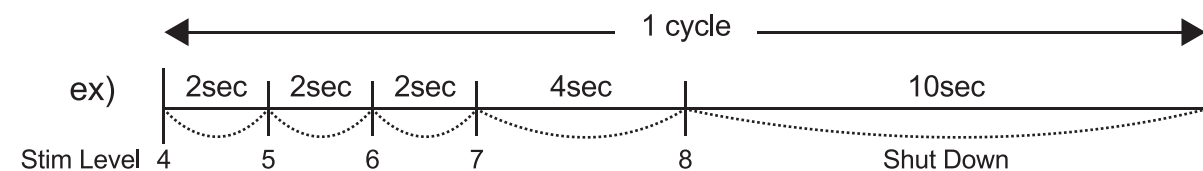
Special Features

Over Stimulation Prevention :

To protect your dog from accidental over stimulation, the collar receiver will turn off after 10 seconds of stimulation for 10 seconds of relaxation. If the dog chooses to remain in the containment field, the 10 seconds on and 10 seconds off cycle will repeat for 4 repetitions. After the fourth cycle, the collar receiver will no longer stimulate until the dog returns to the safe area.

Anti-Linger Protection :

This feature will administer the containment stimulation if the dog lingers in the containment field. The stimulation level will gradually increase as a cycle below.



Run Through Prevention :

The collar receiver will sense if the dog is attempting to run through, the system will administer the selected level of containment stimulation instantly.

Important Note :

The special features mentioned on this page are integrated into the collar receiver and work without any programming.

Charging the Battery of Collar Receiver

Indicator Light will blink "Green" under normal operation.

Rapid Green when warning tone is applied.

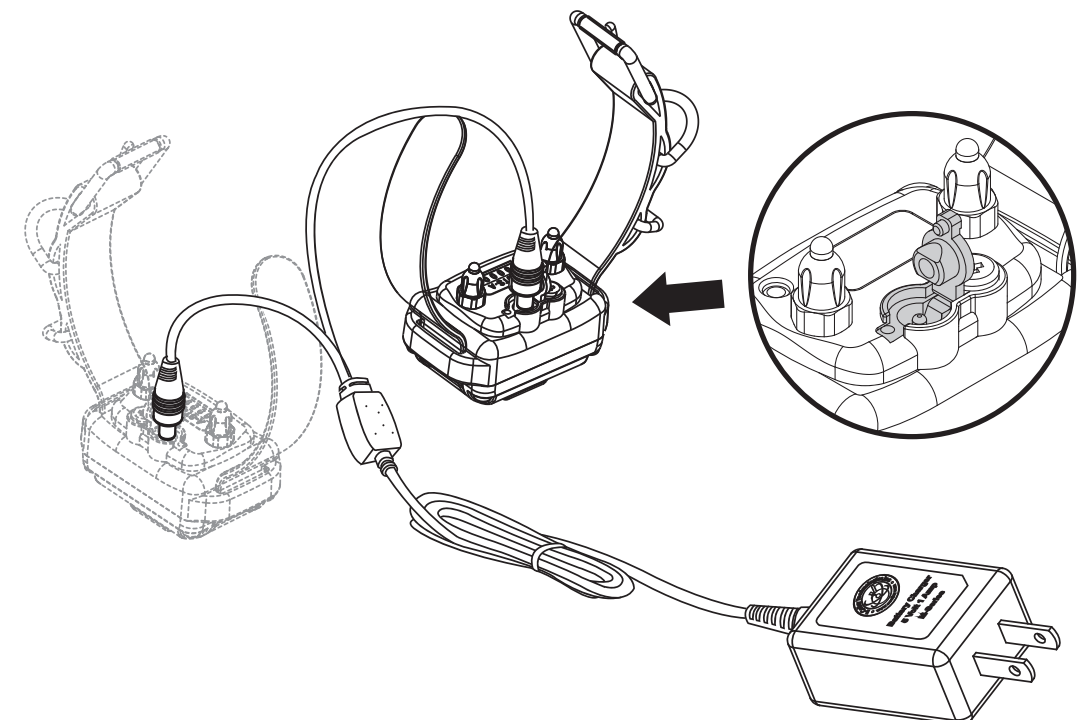
Rapid Red when stimulation is applied.

Blinks Amber when charging is required.

The indicator light will turn solid red during charge cycles and will turn green once it is fully charged. (approximately 2 hours)

Special Note About Battery Care

Your e-collar is equipped with Li-Polymer batteries that need specific attention to ensure their longevity. It is advisable to avoid fully discharging the battery. In the event of complete discharge, please recharge it promptly to prevent irreversible damage. Additionally, please keep the units away from excessive heat and cold temperatures.



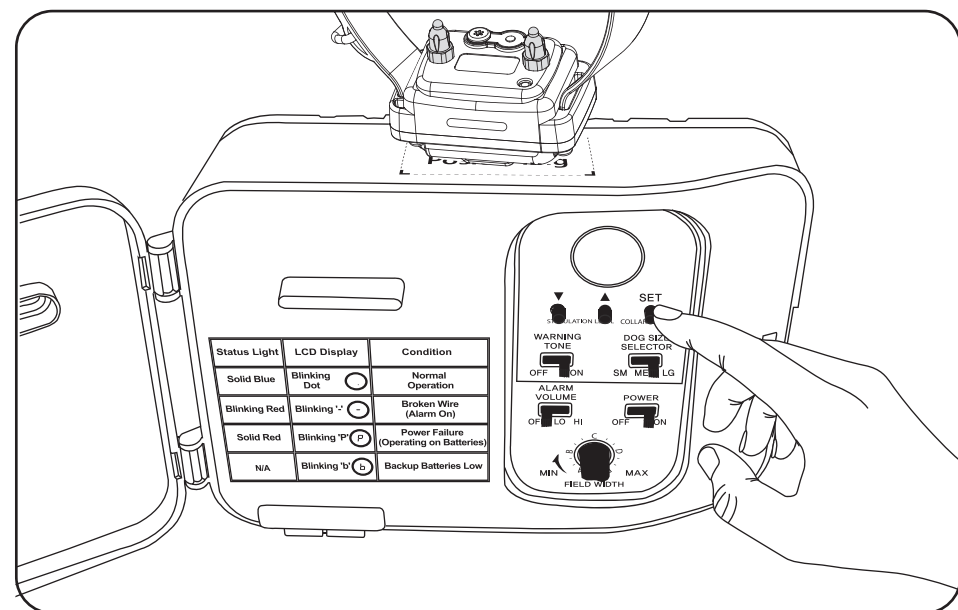
Customizing Collar Receiver

The default setting is tone only mode. Each collar receiver can be programmed to offer a warning tone, small, medium, & large dog stimulation profiles, with 10 levels of stimulation within the selected dog size stimulation profile.

Before you put the collar on your dog, the collar should be programmed. Each collar can be programmed differently by the combination of warning tone, stimulation level and dog size selection.

How to customize the Collar Receiver.

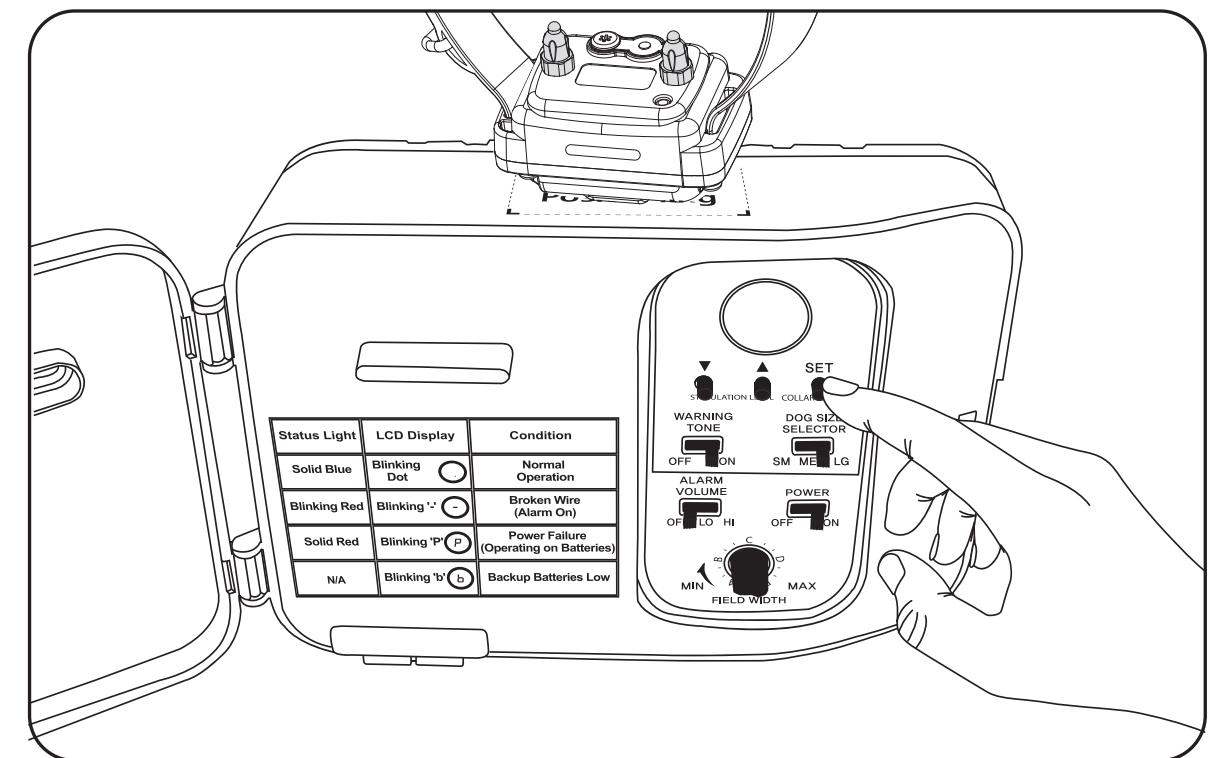
- ① Change the value of warning tone, stimulation level, and dog size on the controller.
- ② Place the collars on the top of the controller.
- ③ Press the “SET” button until the LED on the collar flashes from red to green.
- ④ If the LED keeps blinking green, it means collar setting is finished.



Pairing Instructions: Rx-1000 Replacement Receiver for E Fence

When you receive your replacement receiver for your underground fence, please remember to program your settings from your transmitter to the new receiver.

Please note that the replacement receivers come standard with tone only and do not provide any kind of stimulation.



To program your receiver, simply place it on top of your transmitter box and press and hold the set button. This will transfer your current settings to your collar receiver. Remember, if you make any adjustments to the settings on your transmitter box, you'll need to program your receiver for these changes to take effect.

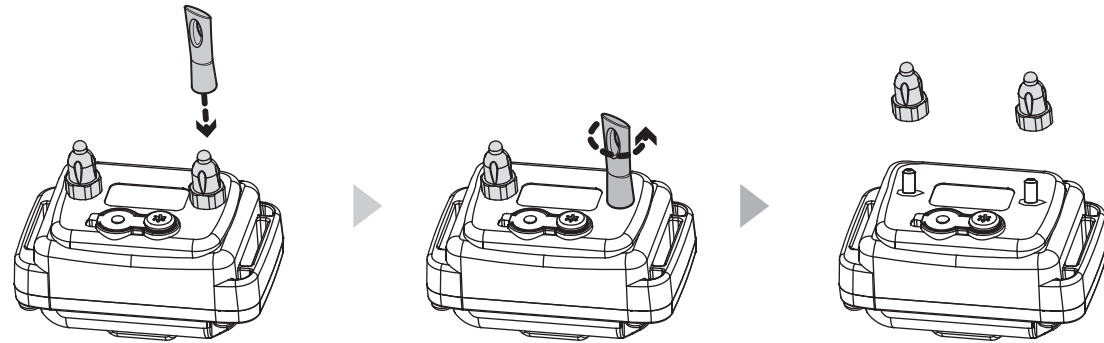
Replacing the Contact Points

The standard 5/8" contact points are used for most dogs.

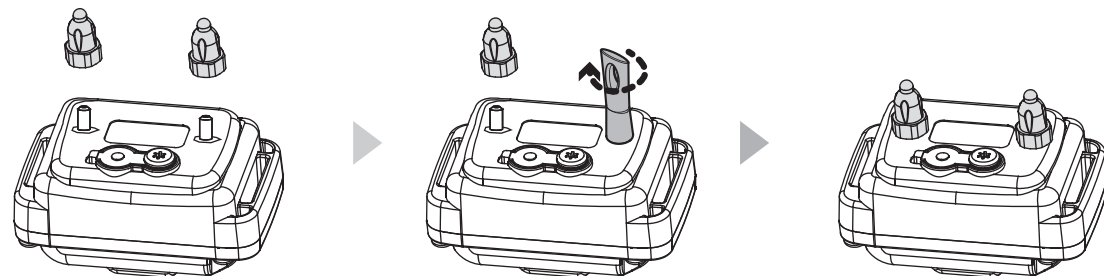
Thicker fur breeds require the longer 3/4" contact points.

Replace the 5/8" contact points by following the instructions below using the enclosed contact point tool.

A. Loosen both contact points by rotating the contact point counter-clockwise using the contact point tool.



B. Install the 3/4" contact points onto the bolt and tighten the contact points by rotating them clockwise with the contact point tool.



* For dogs with either very short or very long or thick coats, please contact customer service for an appropriate size set of contact points.

Correctly Fitting the Collar

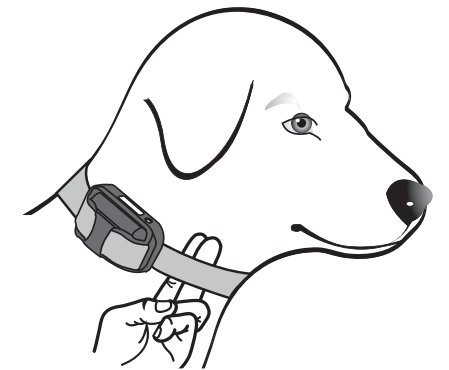
The collar should be adjusted to allow the "contact points" to have direct contact with the dog's skin.

You should be able to fit a couple of fingers between the collar strap and your dog.

Too tight poses the risk of skin irritation and discomfort.

Too loose and the contact points will not be able to administer the stimulation reliably and can cause skin irritation due to chafing.

Short hair breeds may need the micro-probes offered as an accessory item, contact customer service for details. The optimal position for the collar receiver is on either side of the dog's neck.



IMPORTANT NOTICE

To prevent the occurrence of skin irritations the Collar Receiver should never be worn for more than 12 hours per day.

Should your dog experience skin irritations from over exposure to the contact points remove the collar receiver unit immediately and stop using your Containment system until all the skin irritations are totally healed.

Antibiotic ointment will aid in the healing process. Some dog breeds have very thick fur that requires special contact points, please contact our customer service.

To Register for the 2 Year Warranty

Two Year Full Warranty:

To register your product, kindly visit our website at www.ecollar.com. Click on the warranty registration link and complete the necessary information. We kindly ask that you register your product within 30 days of your purchase. If you are unable to access a computer, please feel free to contact one of our dedicated customer service representatives at 1-260-357-0051. They will be happy to assist you in registering your product. If, for any reason, your product is not registered properly, proof of purchase will not be required to obtain warranty coverage. We will be able to estimate your purchase date based on the serial number. It is important to note that misuse, improper maintenance, lost or stolen units, and dog damages are not covered under the manufacturer's warranty. We strive for your complete satisfaction and aim to provide exceptional service.

Accessories

- Short Hair Comfort Adapter



- Long Hair Comfort Adapter



- Micro Probe Contact Points



- 3/4" Titanium Contact Points



- 5/8" Titanium Contact Points



- Lightning Protection Module



- Outdoor Environmental Box



Important Notice

Item should be placed out of the reach of children.

This product is not meant to be used by individuals (including children) with limited physical, sensory, or cognitive abilities, or those lacking expertise and understanding, unless they are under the supervision or guidance of a person responsible for their safety. This also applies to the cleaning and upkeep of the item.

The item should exclusively be used with the power supply (charger) provided with the product.

Possible Metal Allergy Dogs vary in sensitivity and may develop symptoms of a metal allergy. Which may include irritation, redness, hair loss, sores, etc. Please rotate collar receiver from side to side daily to check for allergies. If allergies occur, hypoallergenic contact points are available for purchase at www.ecollar.com or 260-357-0051

NOTICE TO PREVENT WATER DAMAGE

If Receiver is exposed to water on a regular basis, tighten screws once or twice a month depending on the frequency of water exposure. Please make sure screws are snug but not overly tight. This will help prevent internal water damage.

Technical Specifications

Model	E-Fence Pro
Operating frequency range	8 kHz
Degree of protection (Collar Receiver)	IP68
Power Connection (AC/AC Adaptor)	Input : AC 110V Output : AC 24 V, 400 mA
Power Connection (Back-up Battery)	6~8 Hours (AA Alkaline battery)
Collar Receiver battery (Li_Po)	300mAh
Collar Receiver _ Battery voltage	3.7V ~ 4.2V
Collar Receiver _ charging voltage	DC 5V
Time for battery fully charged	1-2 Hours
Collar Receiver Battery Life (Standby mode)	Battery last more then 3 week
Working temperature	0 ~ 55°C
Storage temperature / Humidity	-40 ~ 85 °C / 30%
"Risk of fire or explosion if the battery is replaced by an incorrect type" "Use an adapter that satisfies PS2 or LPS"	