

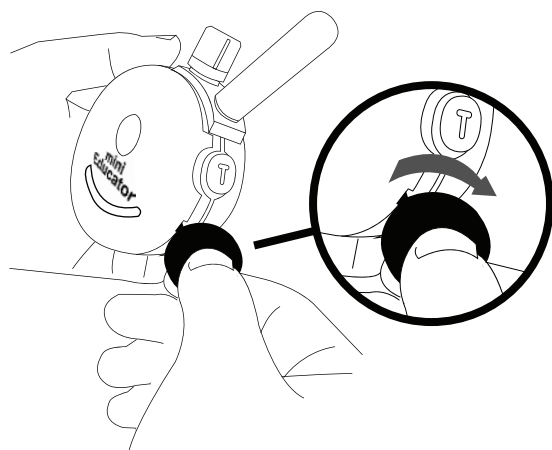
# Transmitter Battery Replacement Instructions

1. Using our skin tool or a number 4 screwdriver.

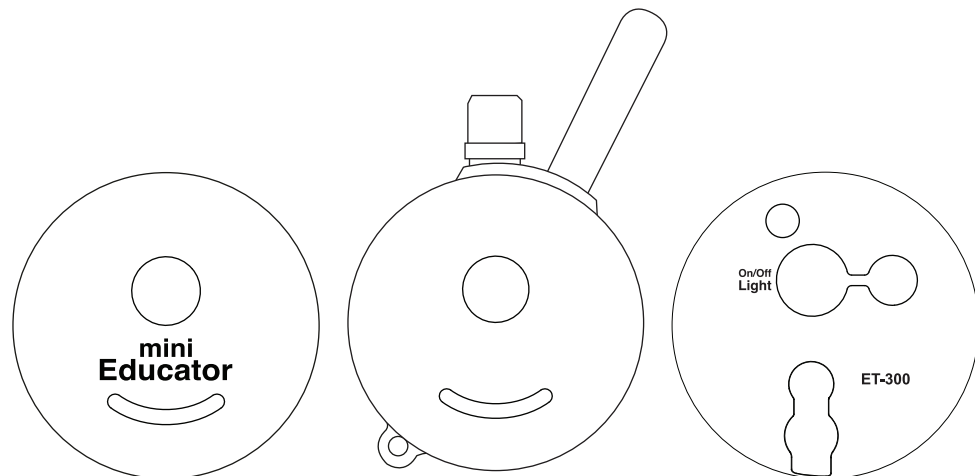


Note : Video is available on our youtube channel.

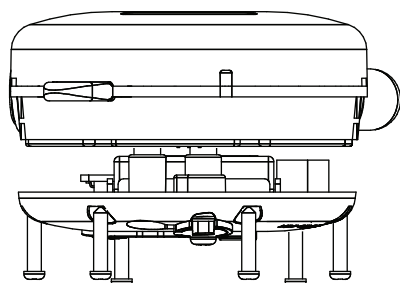
2. Insert tool into the slot and twist clock wise until the skin snaps loose, do not pry. Repeat on the other side.



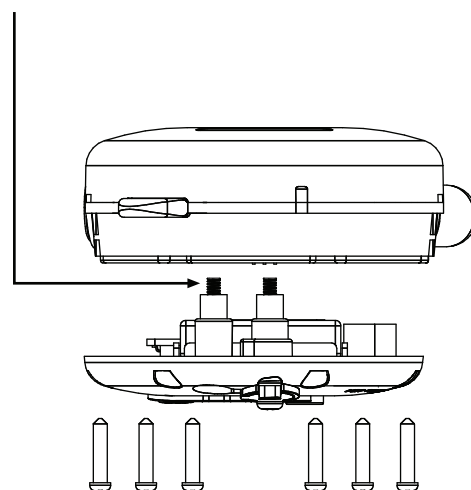
3. Carefully remove skins and set aside.



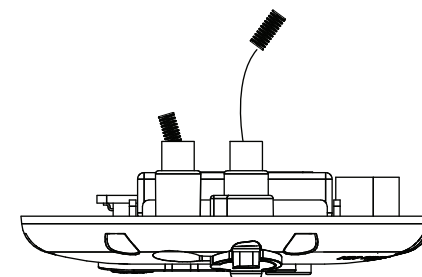
4. Remove all 6 screws using a Phillips or Torx 6 screwdriver. Turn over and carefully separate the back plate from the main body. Watch for the small springs located close to charge port.



5. Charge port springs should stay in place during installation.

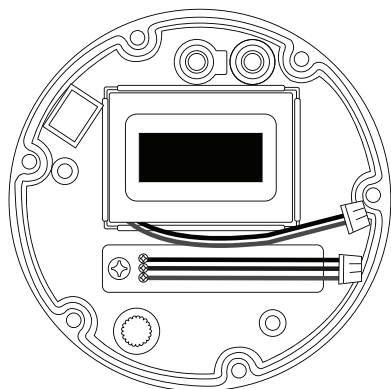


6. Should the springs pop out set them aside while replacing the battery.

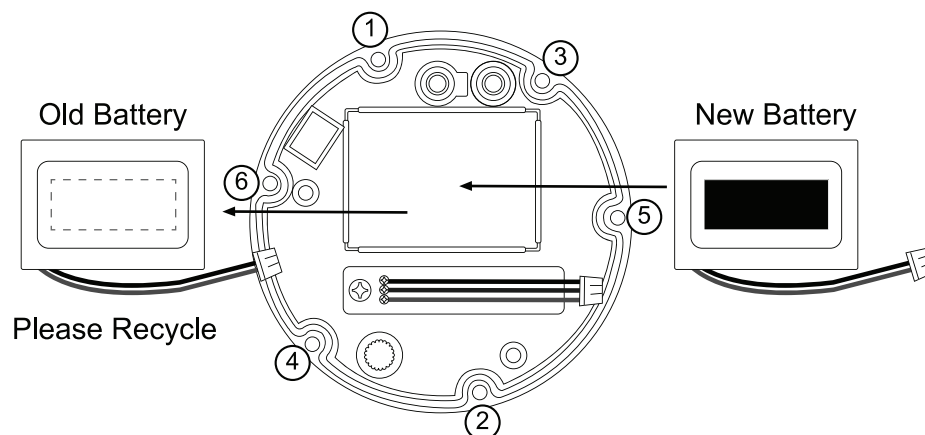


\* Remember to reinsert the springs before closing the unit.

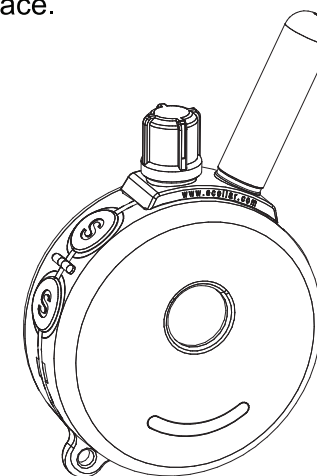
7. Remove old battery by disconnecting the miniature connector.



8. Remove the cushion and attach it to the new battery and reconnect the connector. Make sure the o-ring is positioned correctly before reinstalling the screws. Follow pattern below when tightening the screws.



9. After screws are snug snap skins back into place.



For Assistance Call 1-260-357-0051