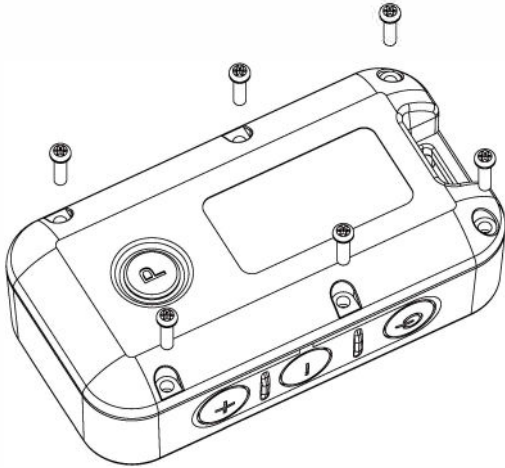
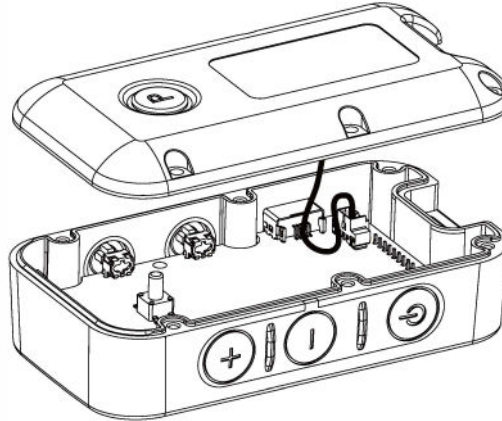


FE Battery Replacement Instructions

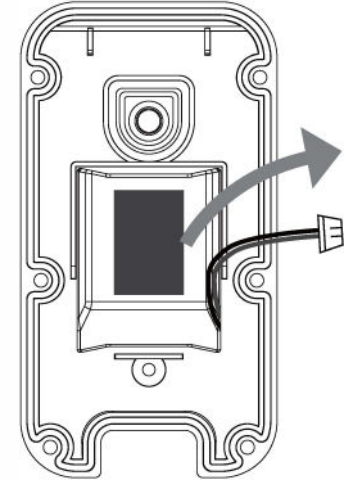
1. Remove all 6 screws using a Torx 6 screwdriver.



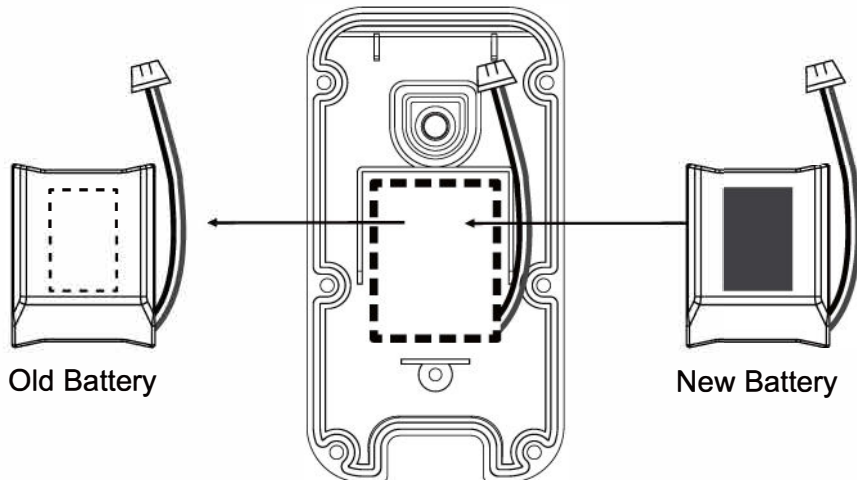
2. Flip the rear panel of the main unit and separate it carefully (disconnect the battery cable).



3. Please detach the rear case to remove the old battery.



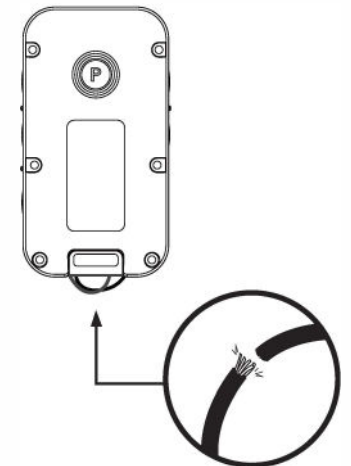
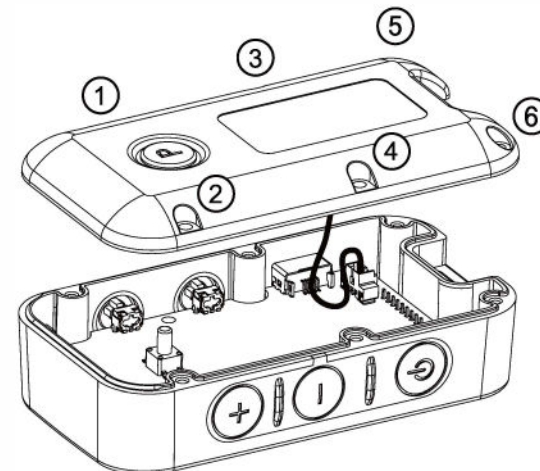
4. Attach the cushion used for the old battery to the new battery and securely position it in the battery slot of the case.



5. Please reconnect the battery connector to the main unit.

Before reattaching the screws, ensure that the joint packing and battery cable are in the correct positions.

Follow the pattern below when tightening the screws.



For Assistance Call 1-260-357-0051