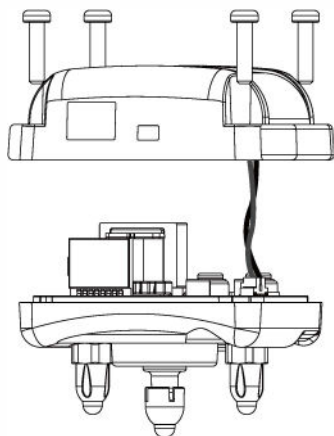
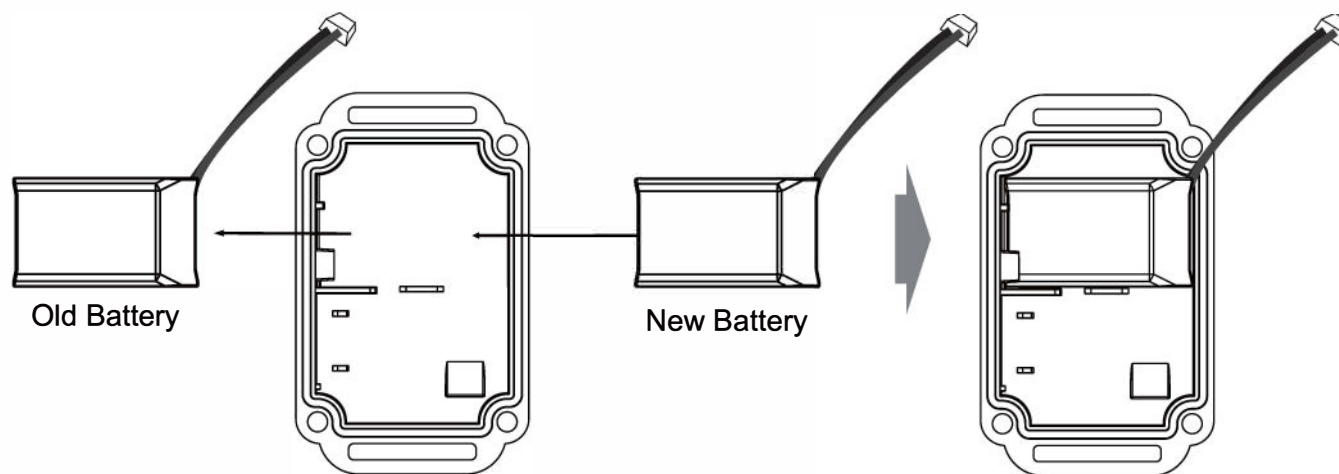


# BP-504 Battery Replacement Instructions

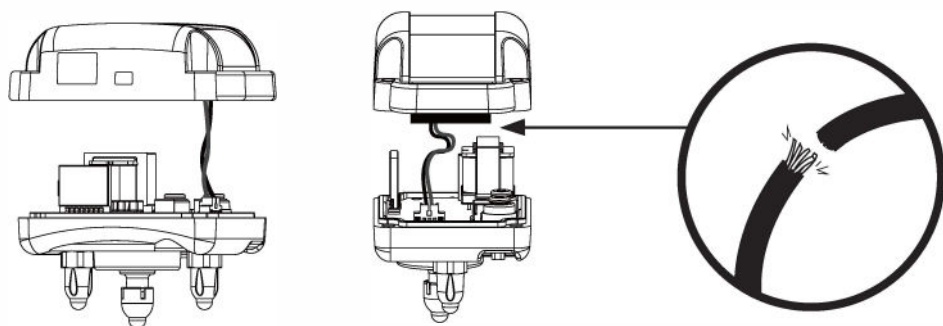
Using a Phillips or Torx 10 driver, remove four screws and disconnect the miniature connector to remove the old battery.



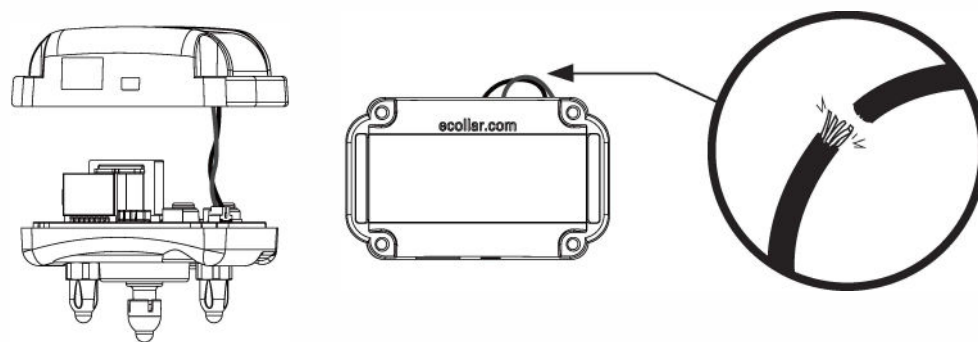
Replace the old battery with a new one.



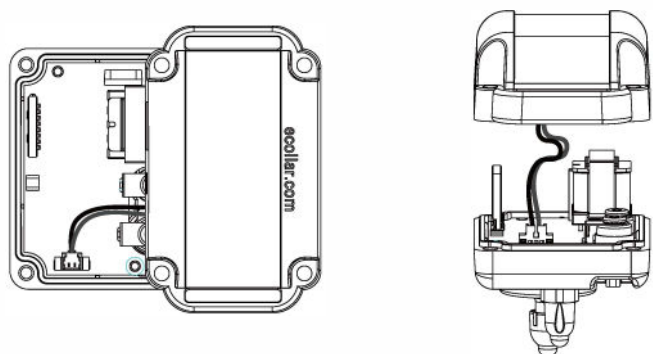
Reinstall the new battery and reconnect the connector, taking care to keep the wire away from the transformer.



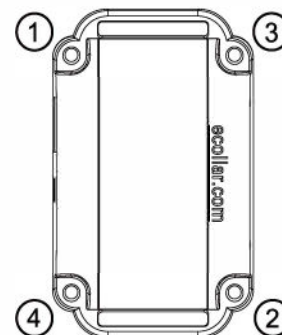
Be careful not to pinch the wire, as shown in the figure below, to avoid causing a broken wire.



Refer to the figure below for the proper placement.



Follow the pattern below when tightening the screws.



For Assistance Call 1-260-357-0051