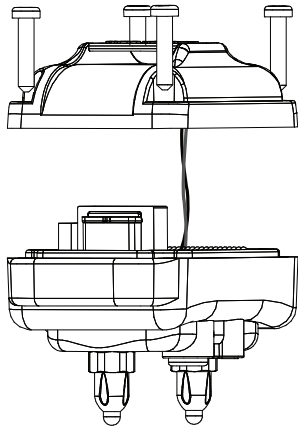
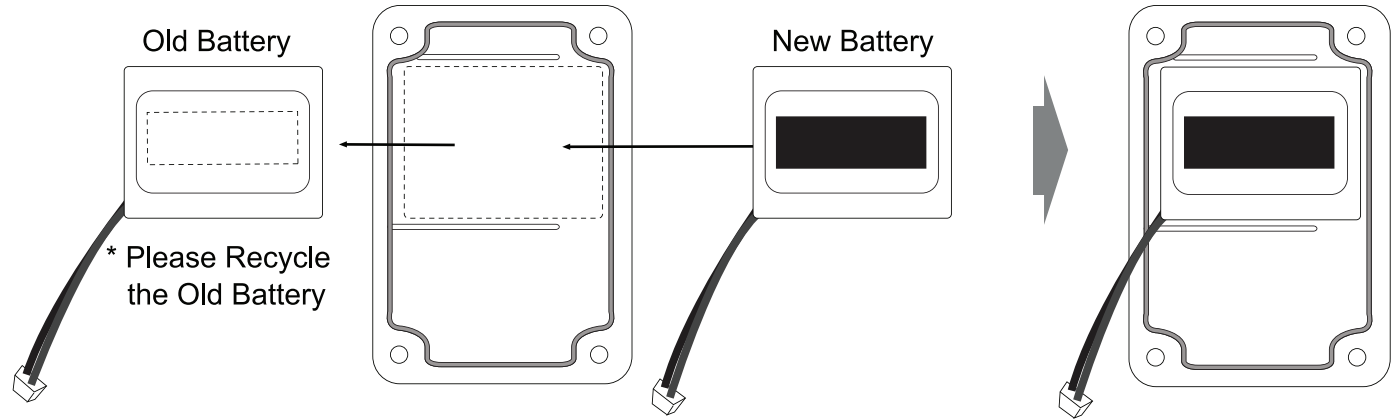


Receiver Battery Replacement Instructions

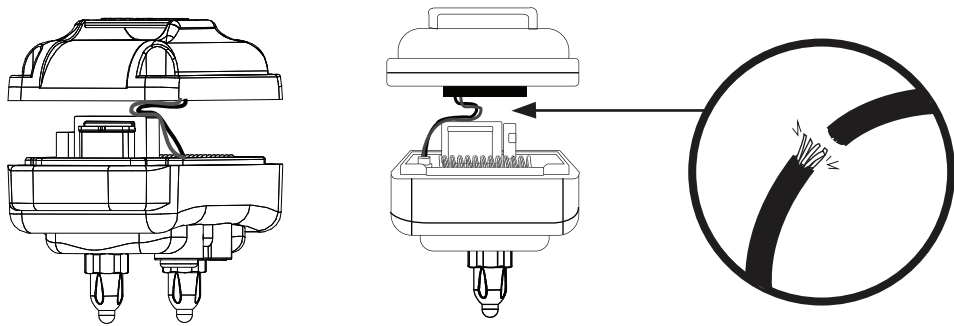
Remove 4 Screws using Philips or Torx 10 driver. Remove old battery by disconnecting the miniature connector.



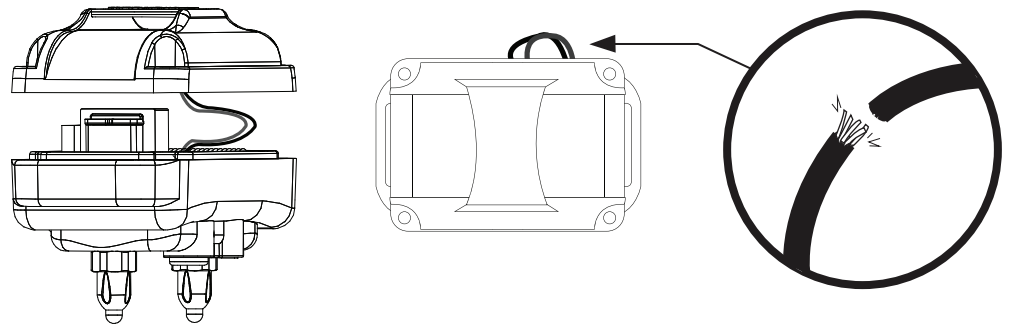
Remove the cushion and attach it to the new battery.



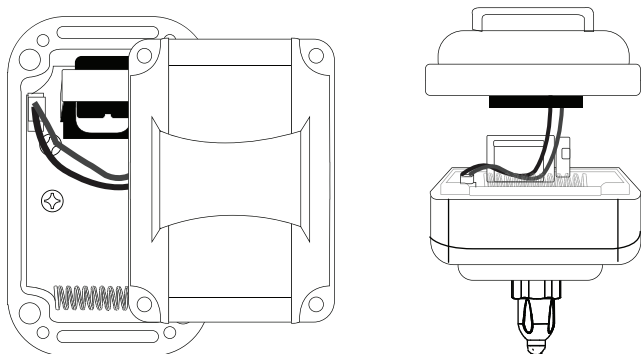
Reinstall new battery and reconnect the connector.
Be careful to keep the wire away from transformer.



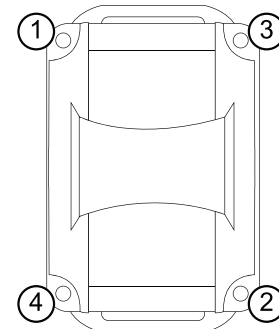
Be mindful not to pinch the wire as seen in the figure below or broken wire may occur.



See the proper placement below.



Follow pattern below when tightening the screws.



For Assistance Call 1-260-357-0051